



(12) **United States Design Patent**
Rivera et al.

(10) **Patent No.:** **US D635,002 S**
(45) **Date of Patent:** **** Mar. 29, 2011**

(54) **HAND TOOL**

(75) Inventors: **Benjamin C. Rivera**, Lake Oswego, OR (US); **Jeffrey L. Caniparoli**, Milwaukie, OR (US); **Jeffrey B. Castro**, Portland, OR (US); **Blair Scott Barnes**, Portland, OR (US)

(73) Assignee: **Leatherman Tool Group, Inc.**, Portland, OR (US)

(**) Term: **14 Years**

(21) Appl. No.: **29/352,321**

(22) Filed: **Dec. 18, 2009**

(51) **LOC (9) Cl.** **08-05**

(52) **U.S. Cl.** **D8/105**

(58) **Field of Classification Search** D8/99,
D8/58, 55, 52, 5, 356, 107, 105; D19/65;
81/440, 427.5; 7/160, 138, 128, 118; 30/298.4,
30/162, 161, 155

See application file for complete search history.

(56) **References Cited**

U.S. PATENT DOCUMENTS

| | | | | |
|-----------|---|-----------|-----------------|----------|
| 4,744,272 | A | 5/1988 | Leatherman | |
| 4,776,094 | A | 10/1988 | Glesser | |
| 4,888,869 | A | 12/1989 | Leatherman | |
| 5,142,721 | A | 9/1992 | Sessions et al. | |
| 5,212,844 | A | * 5/1993 | Sessions et al. | 7/128 |
| 5,267,366 | A | 12/1993 | Frazer | |
| D371,498 | S | * 7/1996 | Lai | D8/105 |
| 5,564,318 | A | * 10/1996 | Pail | 81/427.5 |
| 5,628,117 | A | 5/1997 | Glesser | |
| D382,182 | S | 8/1997 | Seber et al. | |
| 5,664,274 | A | * 9/1997 | Collins | 7/129 |
| 5,689,886 | A | * 11/1997 | Yeh | 30/162 |
| 5,697,114 | A | 12/1997 | McIntosh et al. | |
| D392,519 | S | * 3/1998 | Hung | D8/5 |
| 5,745,997 | A | 5/1998 | Berg et al. | |
| 5,765,247 | A | 6/1998 | Seber et al. | |
| 5,781,950 | A | 7/1998 | Swinden et al. | |

(Continued)

FOREIGN PATENT DOCUMENTS

EP 0 783 937 A2 7/1997

OTHER PUBLICATIONS

Serengeti Hunter, available at <http://www.crkt.com/serenget.html>, (Jul. 5, 2006), 2 pages.

(Continued)

Primary Examiner — Austin Murphy

(74) *Attorney, Agent, or Firm* — Alston & Bird LLP

(57) **CLAIM**

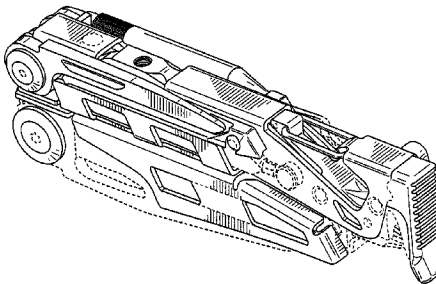
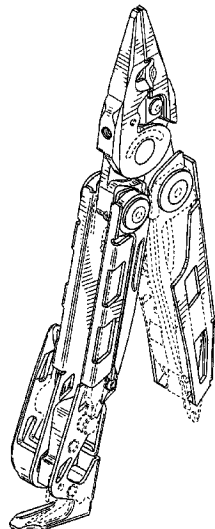
The ornamental design for a hand tool, as shown and described.

DESCRIPTION

FIG. 1 is a perspective view of a hand tool according to our new design, shown in an open configuration; FIG. 2 is a front elevation view thereof; FIG. 3 is a rear elevation view thereof; FIG. 4 is a left side elevation view thereof; FIG. 5 is a right side elevation view thereof; FIG. 6 is a top plan view thereof; FIG. 7 is a bottom plan view thereto; FIG. 8 is a perspective view thereof, shown in a close configuration; FIG. 9 is a front elevation view thereof; FIG. 10 is a rear elevation view thereof; FIG. 11 is a left side elevation view thereof; FIG. 12 is a right side elevation view thereof; FIG. 13 is a top plan view thereof; and, FIG. 14 is a bottom plan view thereto.

The broken lines immediately adjacent the shaded areas represent bounds of the claimed design and environment while all other broken lines are directed to environment and are for illustrative purposes only. The broken lines form no part of the claimed design.

1 Claim, 10 Drawing Sheets



U.S. PATENT DOCUMENTS

| | | | | |
|--------------|------|---------|-------------------|----------|
| 5,791,002 | A | 8/1998 | Gardiner et al. | |
| D401,133 | S | 11/1998 | Gardiner et al. | |
| D405,676 | S | 2/1999 | Rivera | |
| D406,030 | S | 2/1999 | Gardiner et al. | |
| D406,508 | S * | 3/1999 | Rivera | D8/52 |
| D406,997 | S | 3/1999 | Robbins | |
| D407,621 | S | 4/1999 | Koon et al. | |
| D409,893 | S | 5/1999 | Gardiner et al. | |
| D414,092 | S * | 9/1999 | Chang | D8/55 |
| D414,387 | S * | 9/1999 | Hung | D8/5 |
| 5,963,999 | A | 10/1999 | Gardiner et al. | |
| 5,979,059 | A | 11/1999 | Leatherman et al. | |
| 6,003,180 | A * | 12/1999 | Frazer | 7/128 |
| 6,006,385 | A | 12/1999 | Kershaw et al. | |
| 6,009,582 | A * | 1/2000 | Harrison et al. | 7/118 |
| 6,014,787 | A | 1/2000 | Rivera | |
| 6,023,805 | A | 2/2000 | Lin | |
| 6,038,735 | A | 3/2000 | Chang | |
| D426,446 | S * | 6/2000 | Chau | D8/105 |
| D426,447 | S | 6/2000 | Chau | |
| 6,223,374 | B1 * | 5/2001 | Lin | 7/127 |
| D445,326 | S * | 7/2001 | Alfaro | D8/107 |
| 6,276,063 | B1 | 8/2001 | Chen | |
| 6,282,997 | B1 * | 9/2001 | Frazer | 81/427.5 |
| 6,289,768 | B1 * | 9/2001 | Anderson et al. | 81/3.09 |
| 6,293,018 | B1 * | 9/2001 | Rivera | 30/155 |
| D448,636 | S | 10/2001 | Yeh | |
| D455,629 | S * | 4/2002 | Ping | D8/105 |
| 6,389,626 | B1 * | 5/2002 | Hung | 7/128 |
| D469,328 | S * | 1/2003 | Ping | D8/107 |
| D470,372 | S | 2/2003 | Rivera | |
| 6,594,906 | B1 | 7/2003 | Sakai et al. | |
| D484,770 | S | 1/2004 | Green | |
| 6,694,558 | B2 | 2/2004 | Ping | |
| D505,057 | S | 5/2005 | Ralph | |
| D509,125 | S | 9/2005 | Ping | |
| 7,000,323 | B1 | 2/2006 | Hatcher et al. | |
| 7,028,591 | B2 * | 4/2006 | Dallas et al. | 81/300 |
| 7,051,627 | B2 * | 5/2006 | Rivera | 81/440 |
| D529,789 | S | 10/2006 | Klecker | |
| D538,138 | S | 3/2007 | Knight | |
| D541,618 | S * | 5/2007 | Klecker | D8/107 |
| D557,100 | S | 12/2007 | Stokes et al. | |
| 7,347,128 | B2 * | 3/2008 | Rivera et al. | 81/450 |
| 7,353,736 | B2 * | 4/2008 | Poehlmann | 81/427.5 |
| 7,363,669 | B2 * | 4/2008 | Berg et al. | 7/128 |
| D568,710 | S | 5/2008 | Klecker et al. | |
| D569,212 | S | 5/2008 | Hawk et al. | |
| D571,181 | S | 6/2008 | Klecker et al. | |
| D573,009 | S | 7/2008 | Nenadic | |
| D573,437 | S | 7/2008 | Nenadic | |
| D573,865 | S | 7/2008 | Klecker et al. | |
| 7,406,896 | B2 * | 8/2008 | Rivera | 81/177.4 |
| D592,931 | S * | 5/2009 | Nenadic | D8/105 |
| D596,911 | S | 7/2009 | Carpenter et al. | |
| 7,568,408 | B2 * | 8/2009 | Tsuda | 81/427.5 |
| 7,596,870 | B2 * | 10/2009 | Klecker et al. | 30/236 |
| 7,607,231 | B2 * | 10/2009 | Klecker et al. | 30/236 |
| 7,730,811 | B2 * | 6/2010 | Robinson et al. | 81/423 |
| 2001/0014986 | A1 * | 8/2001 | Harrison | 7/128 |

OTHER PUBLICATIONS

Deutsch, S., Preview: Leatherman Freestyle; available at <http://toolmonger.com/2008/02/18/preview-leatherman-freestyle/>, dated Jul. 18, 2004, 4 pages.

http://toolmonger.com/wp-content/uploads/2008/02/LM_Freestyle_Preview.jpg, dated Jul. 18, 2008, 1 page.

http://toolmonger.com/wp-content/uploads/2008/02/LM_Freestyle_Skeleton1.jpg, dated Jul. 18, 2008, 1 page.

Leatherman | Freestyle Tool With a Gift Tin | 830843 | B&H Photo, available at <http://www.bhphotovideo.com/c/product/511489-REG>, dated Jul. 18, 2008, 2 pages.

<http://www.bhphotovideo.com/images/largeimages/511489.jpg>, dated Jul. 18, 2008, 1 page.

http://www.bhphotovideo.com/images/multiple_images/item_images/IMG_7174.jpg, dated Jul. 18, 2008, 1 page.

Johnson, J., Leatherman Freestyle: A Cheaper Skeletool, available at <http://gadgets.boingboing.net/2008/02/18/leatherman-freestyle.html>, dated Jul. 18, 2008, 3 pages.

Shot Show 2007 Report—Knives, available at http://www.equipped.org/shot_show_2007_knives4.htm; dated Jul. 18, 2008, 10 pages.

Leatherman Freestyle Rendering, available at <http://www.equipped.org/pp/pic1902.htm>, dated Jul. 18, 2008, 1 pages.

Leatherman Freestyle Bit Storage, available at <http://www.equipped.org/pp/pic1916.htm>, dated Jul. 18, 2008, 1 page.

Leatherman Freestyle, available at <http://www.equipped.org/pp/pic1891.htm>, dated Jul. 18, 2008, 1 page.

Leatherman Freestyle, available at <http://www.equipped.org/pp/pic1892.htm>, dated Jul. 18, 2008, 1 page.

Leatherman Freestyle, available at <http://www.equipped.org/pp/pic1893.htm>, dated Jul. 18, 2008, 1 page.

ESPN.com—Day two new products unveiled, available at <http://sports.espn.go.com/espn/print?id=2730032&type=story>, dated Jul. 18, 2008, 1 page.

Leatherman Freestyle: Lighter Tools In Your Pocket—Homotron.net, http://www.homotron.net/2008/02/leatherman_freestyle_lighter_t.html, Jul. 18, 2008, 2 pages.

http://www.camping-gear-outlet.com/images/product/7_87718.jpg, dated Jul. 18, 2008, 1 page.

<http://raduborcea.files.wordpress.com/2008/05/skeletool-cx-diagram.jpg>, dated Jul. 18, 2008, 1 page.

<http://www.vikingchalet.com/~server/images/stories/skeletool-detail.jpg>, dated Jul. 18, 2008, 1 page.

http://toolmonger.com/wp-content/uploads/2007/09/TM_Leather-Man_Skeletool.jpg, Jul. 18, 2008, 1 page.

http://toolmonger.com/wp-content/uploads/2008/02/Skeletool_Beauty.jpg, dated Jul. 18, 2008, 1 page.

http://www.linux-mag.com/images/2007-12/gift-guide/Skeletool_CX_Beauty.jpg, dated Jul. 18, 2008, 1 page.

<http://www.gearcrave.com/wp-content/uploads/2007/11/skeletool.jpg>, dated Jul. 18, 2008, 1 page.

<http://knivesandmultitools.com/library/SkeletoolCX.JPG>, dated Jul. 18, 2008, 1 page.

U.S. Appl. No. 29/346,851, filed Nov. 6, 2009; In re: Steineckert et al., entitled “Hand Tool”.

U.S. Appl. No. 29/346,849, filed Nov. 6, 2009; In re: Steineckert et al., entitled “Hand Tool”.

U.S. Appl. No. 29/335,352, filed Apr. 14, 2009; In re: Castro, entitled “Wire Cutter”.

The Pocket Toolbox™, G10 MaxGrip, Multitasker Ultralight, Multitasker Tools LLC, Brochure, 2 pages.

Multi Tools 14-in-1 Hammer Tool [online] [retrieved Jan. 25, 2010]. Retrieved from the internet: <URL: http://greatnecksaw.com/product_info.php?productName=14in1-hammer-tool&cName=all-purpo...>. 2 pages.

eFECT™, Speciality Tools, 2010 Gerber Military Product Catalog, Jun. 1, 2009, p. 16.

Multitasker Tool [online] [retrieved Apr. 16, 2010]. Retrieved from the internet: <URL: <http://www.multitaskertools.com/images/2009tool.jpg>>. 1 page.

Gerber Knife [online] [retrieved Apr. 16, 2010]. Retrieved from the internet: <URL:<http://images.knifecenter.com/knifecenter/gerber/images/GB000030.jpg>>. 1 page.

Leatherman Charge TTI, Internet; accessed online Jun. 28, 2010; http://images.shopleatherman.com/Lg/5366_1/830682_Leatherman_Charge_TTi_w_Leather_Sheath.jpg.

* cited by examiner

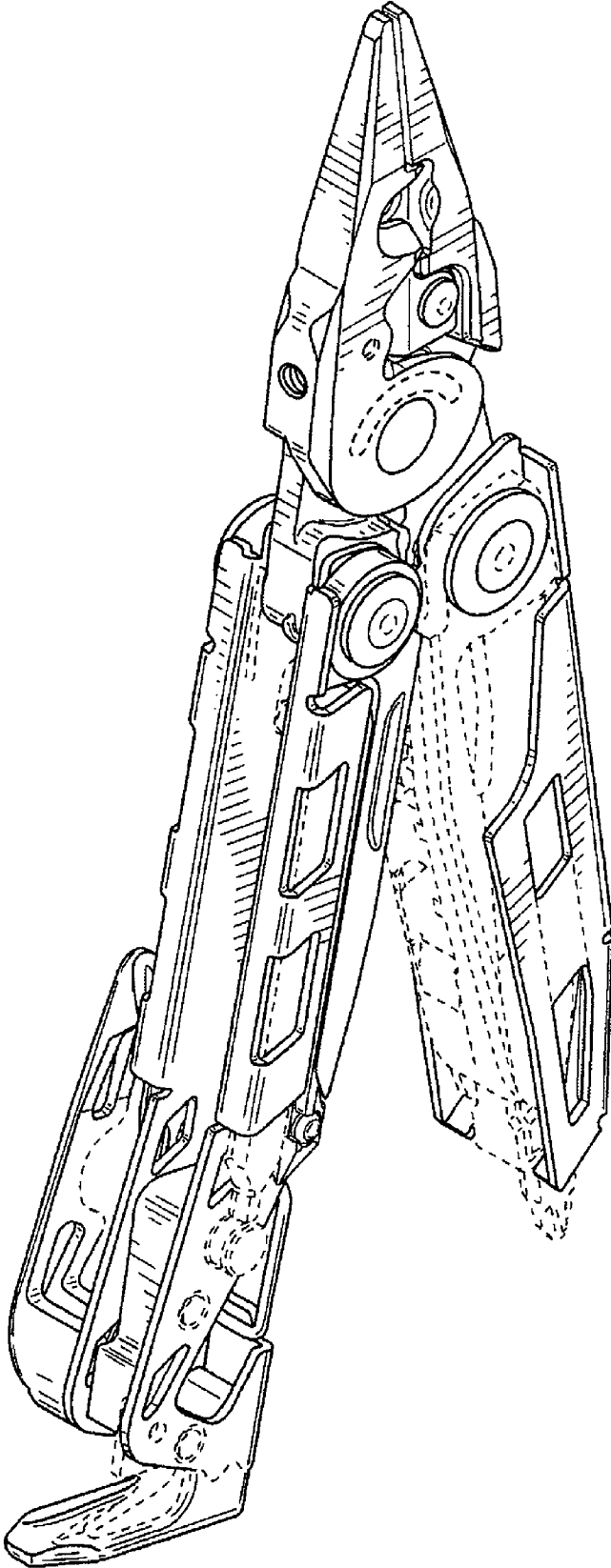


FIG. 1

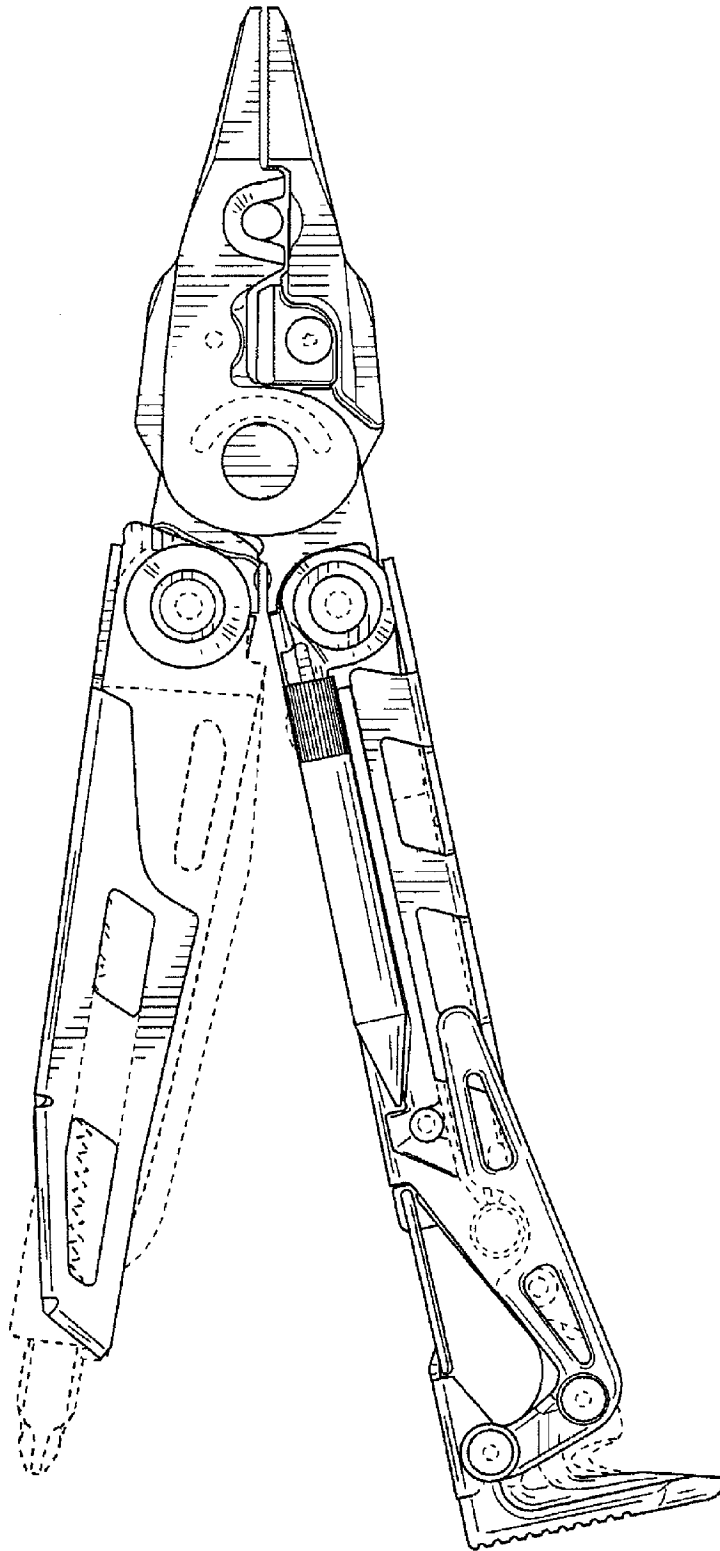


FIG. 2

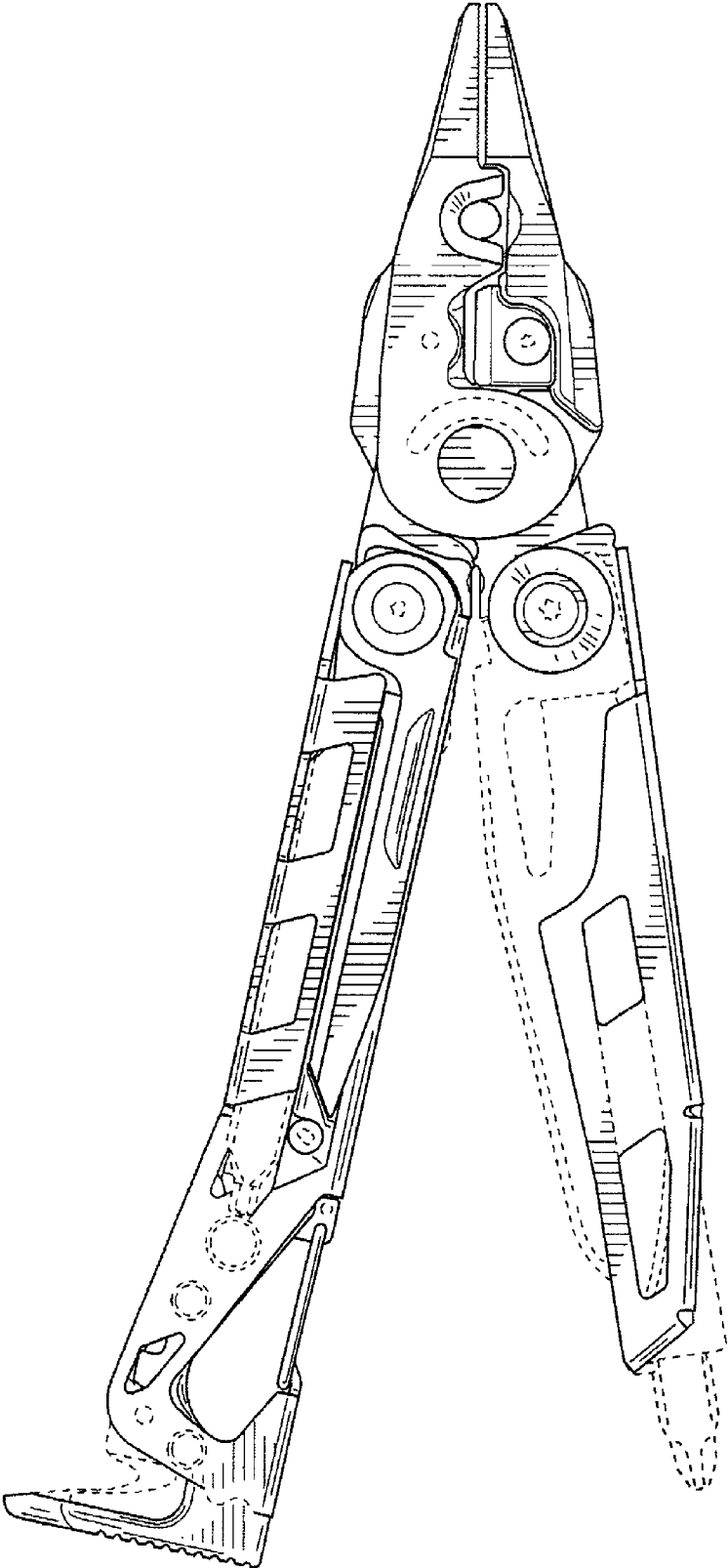


FIG. 3

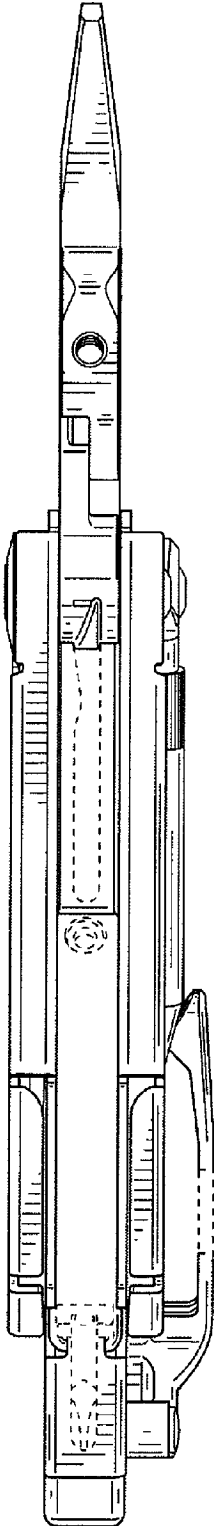


FIG. 4

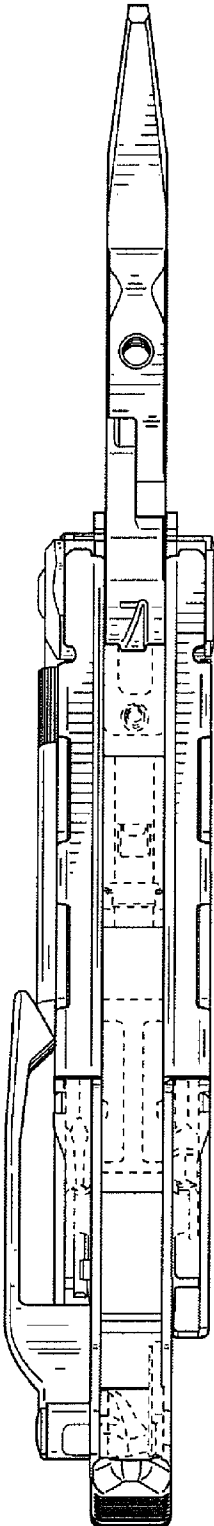


FIG. 5

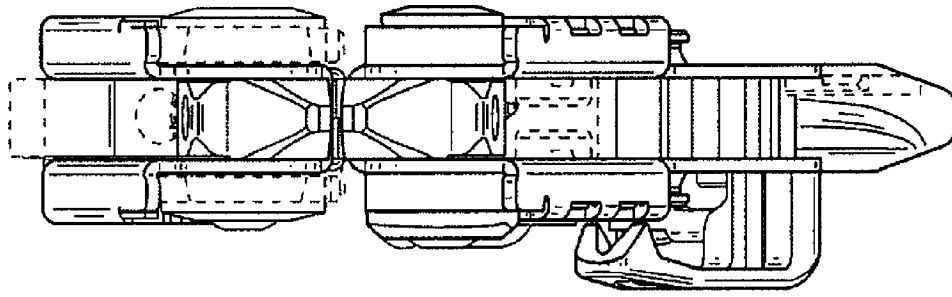


FIG. 6

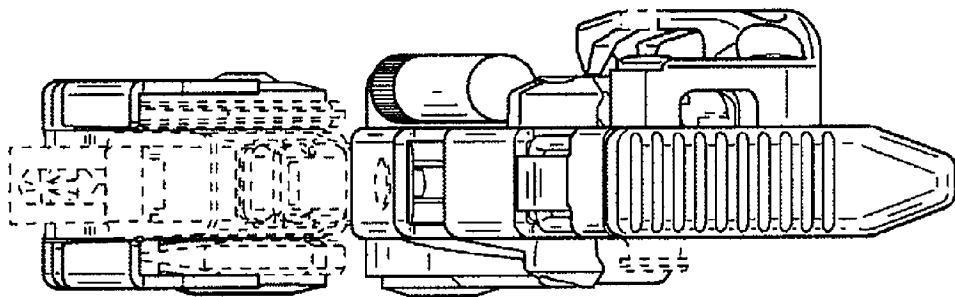


FIG. 7

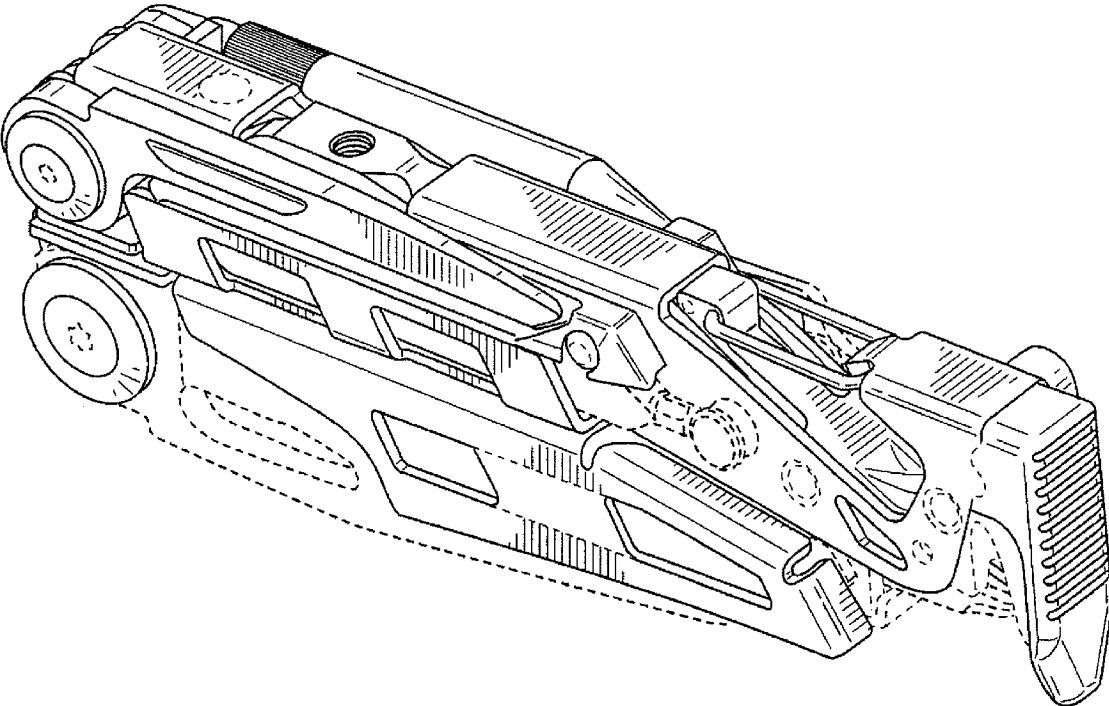


FIG. 8

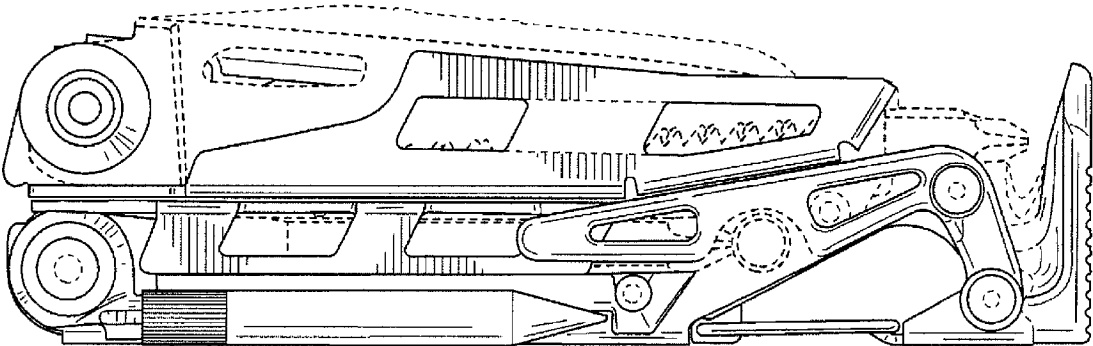


FIG. 9

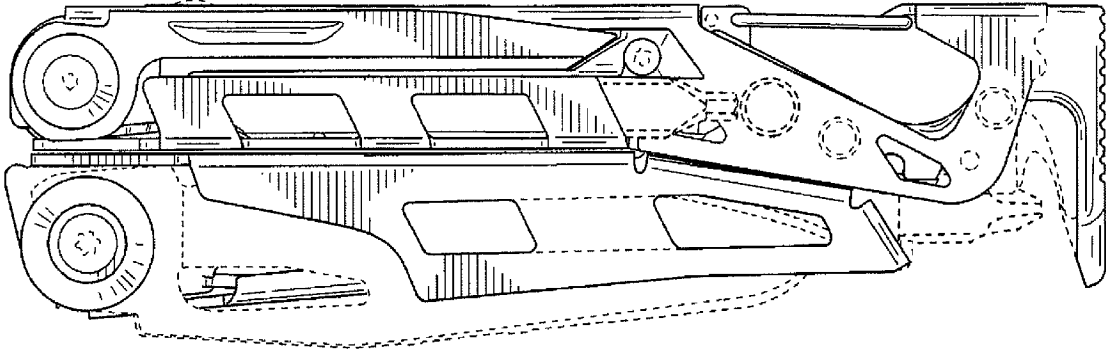


FIG. 10

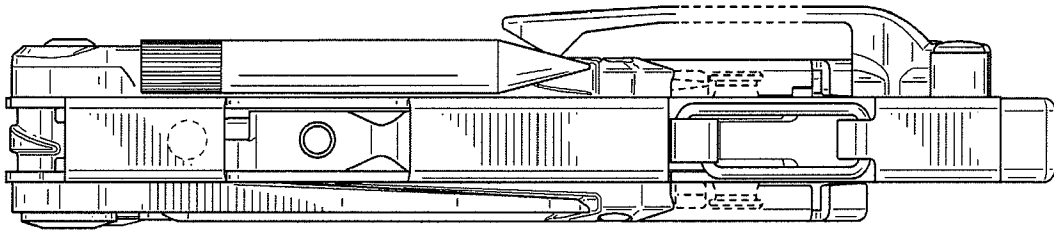


FIG. 11

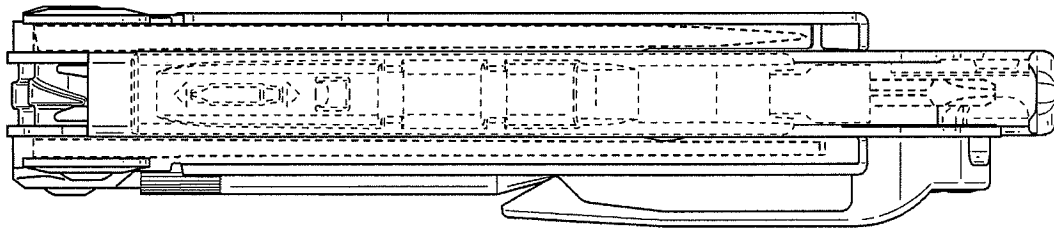


FIG. 12

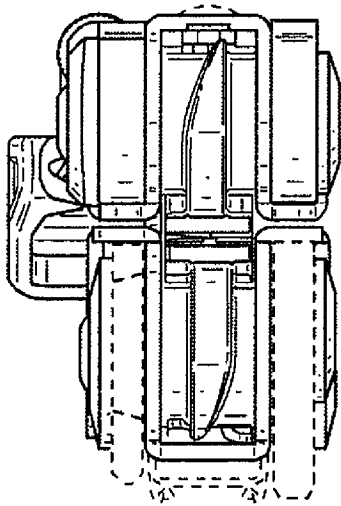


FIG. 13

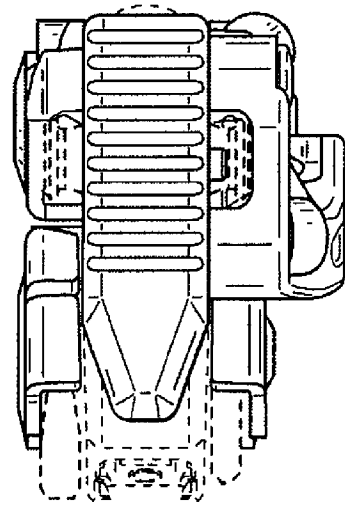


FIG. 14