



US00D573437S

(12) **United States Design Patent**
Nenadic

(10) **Patent No.:** **US D573,437 S**

(45) **Date of Patent:** **** Jul. 22, 2008**

(54) **PORTION OF A HANDLE PIECE FOR A FOLDING MULTIPURPOSE HAND TOOL**

EP 1 023 971 A2 8/2000

(Continued)

(75) Inventor: **John Nenadic**, Camas, WA (US)

OTHER PUBLICATIONS

(73) Assignee: **Leatherman Tool Group, Inc.**,
Portland, OR (US)

Van Hoy Snap Lock, available at <http://www.crkt.com/snaplock.html>
(Jul. 5, 2006), 2 pages.

(**) Term: **14 Years**

(Continued)

(21) Appl. No.: **29/275,949**

Primary Examiner—Cathron Brooks

Assistant Examiner—Austin Murphy

(22) Filed: **Jan. 10, 2007**

(74) *Attorney, Agent, or Firm*—Alston & Bird LLP

(51) **LOC (8) Cl.** **08-03**

(57) **CLAIM**

(52) **U.S. Cl.** **D8/105; D8/107**

The ornamental design for a portion of a handle piece for a folding multipurpose hand tool, as shown and described.

(58) **Field of Classification Search** D8/99,
D8/58, 55, 52, 356, 107, 105, 97; D19/65;
81/440, 427.5, 177.4; 7/160, 138, 128, 118;
30/298.4, 162, 161, 155; 16/110.1

See application file for complete search history.

DESCRIPTION

(56) **References Cited**

U.S. PATENT DOCUMENTS

187,483	A	2/1877	Rightor
345,296	A	7/1886	Friebertshauser
364,414	A	6/1887	Hollweg
610,530	A	9/1898	Hammesfahr
825,093	A	7/1906	Watson
1,179,111	A	4/1916	Knowlton
1,800,843	A	4/1931	Moulton
2,250,290	A	7/1941	Berg
2,263,415	A	11/1941	Berg et al.
2,597,540	A	5/1952	Smith
2,718,695	A	9/1955	Elsener
2,809,384	A	10/1957	Kayser
3,363,315	A	1/1968	Anderson
3,832,775	A	9/1974	Stahel, II et al.
4,187,607	A	2/1980	Simuro et al.

(Continued)

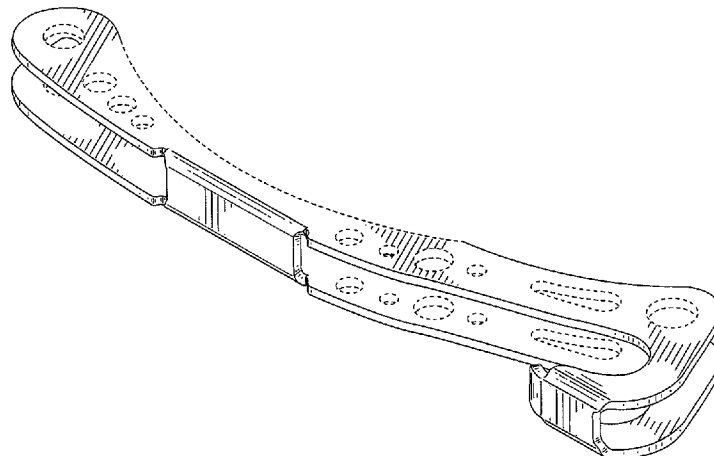
FOREIGN PATENT DOCUMENTS

EP	0 771 622	A1	5/1997
EP	0 783 937	A2	7/1997

FIG. 1 is a perspective view of a portion of a handle piece for a folding multipurpose hand tool according to my new design; FIG. 2 is a front elevation view thereof; FIG. 3 is a rear elevation view thereof; FIG. 4 is a right side elevation view thereof; FIG. 5 is a top plan view thereof; FIG. 6 is a left side elevation view thereof; FIG. 7 is a bottom plan view thereof; and FIG. 8 is a perspective view of a portion of a handle piece for a folding multipurpose hand tool according to my new design; FIG. 9 is a front elevation view thereof; FIG. 10 is a rear elevation view thereof; FIG. 11 is a right side elevation view thereof; FIG. 12 is a top plan view thereof; FIG. 13 is a left side elevation view thereof; and, FIG. 14 is a bottom plan view thereof.

The broken lines shown herein are for illustrative purposes only and form no part of the claimed design.

1 Claim, 14 Drawing Sheets



U.S. PATENT DOCUMENTS

4,238,862 A 12/1980 Leatherman
 4,512,051 A 4/1985 Magan
 4,563,813 A 1/1986 Fortenberry
 4,570,341 A 2/1986 Konneker
 4,744,272 A 5/1988 Leatherman
 4,759,645 A 7/1988 Kuo
 4,776,094 A 10/1988 Glesser
 4,805,303 A 2/1989 Gibbs
 4,888,869 A 12/1989 Leatherman
 D307,383 S * 4/1990 Huang D8/97
 5,142,721 A 9/1992 Sessions et al.
 5,267,366 A 12/1993 Frazer
 5,270,909 A 12/1993 Weiss et al.
 5,349,753 A 9/1994 Gaffney
 5,450,670 A 9/1995 Sakai
 5,463,798 A 11/1995 Wurzer
 5,511,310 A 4/1996 Sessions et al.
 5,537,750 A 7/1996 Seber et al.
 5,628,117 A 5/1997 Glesser
 5,653,525 A 8/1997 Park
 5,697,114 A 12/1997 McIntosh et al.
 5,745,997 A 5/1998 Berg et al.
 5,765,247 A 6/1998 Seber et al.
 5,781,950 A 7/1998 Swinden et al.
 D396,618 S 8/1998 Swinden et al.
 5,791,002 A 8/1998 Gardiner et al.
 5,822,867 A 10/1998 Sakai
 D401,133 S 11/1998 Gardiner et al.
 D405,676 S 2/1999 Rivera
 D406,030 S 2/1999 Gardiner et al.
 D409,893 S 5/1999 Gardiner et al.
 5,963,999 A 10/1999 Gardiner et al.
 5,983,686 A 11/1999 Lee
 6,006,385 A 12/1999 Kershaw et al.
 6,014,787 A 1/2000 Rivera
 6,038,735 A 3/2000 Chang
 D429,989 S * 8/2000 Rivera D8/105
 6,112,352 A 9/2000 Legg
 D440,855 S * 4/2001 Wang D8/97
 6,223,372 B1 5/2001 Barber
 6,341,423 B1 1/2002 Taggart et al.
 D457,413 S * 5/2002 Cooper D8/107
 D474,095 S 5/2003 Luquire
 6,594,906 B1 7/2003 Sakai et al.

D479,788 S * 9/2003 Ocklenburg D8/105
 6,622,327 B1 9/2003 Rivera
 6,622,328 B2 9/2003 Rivera
 D484,770 S 1/2004 Green
 D496,847 S * 10/2004 Rivera et al. D8/107
 D497,095 S * 10/2004 Rivera et al. D8/107
 D497,096 S * 10/2004 Rivera et al. D8/107
 D505,057 S * 5/2005 Ralph D8/99
 D529,789 S 10/2006 Klecker
 7,182,001 B2 * 2/2007 Rivera 81/177.4
 D553,467 S * 10/2007 Ryan D8/99
 D562,102 S * 2/2008 Pearman D8/99

FOREIGN PATENT DOCUMENTS

EP 1 116 557 A2 7/2001
 EP 1 340 597 A2 9/2003
 FR 2 655 635 A1 6/1991
 FR 2 760 955 A1 9/1998
 WO WO 97/19787 A1 6/1997
 WO WO 98/18599 A1 5/1998

OTHER PUBLICATIONS

Delta Folding Knife—EW-04 available from SureFire, available at http://www.surefire.com/maxexp/main/co_disp/displ/carfnbr/317/prfnbr/24381 (Jul. 5, 2006), 1 page.
 Cord/Harness Cutter, available at http://www.surefire.com/surefire/content/ew04_large.jpg, (Jul. 5, 2006), 1 page.
 Swiss+Tech Products, available at <http://www.swisstehtools.com/productdetail.aspx?PID=pHL7RxHb%2frwA>, (Jul. 5, 2006), 1 page.
 Serengeti Hunter, available at <http://www.crkt.com/serenget.html>, (Jul. 5, 2006), 2 pages.
 U.S. Appl. No. 29/232,146, filed Jun. 14, 2005; In re: Knight; entitled *Folding Carabiner with Spring Gate*, 4 pages.
 Alta Vista—Image Search results for: Carabiner, available at <http://www.altavista.com/image/results?itag=ody&q=carabiner&mik=photo&mik=graphic&mip=all&m...> (Nov. 16, 2006), 18 pages.
 Carabiner Knife—Google Image Search, available at <http://images.google.com/images?svnum=10&hl=en&lr=&q=carabiner+knife> (Nov. 15, 2006), 8 pages.
 Carabiner Knife, available at <http://www.altavista.com/image/results?itag=ody&q=carabiner+knife&mik=photo&mik=graphic&mip=...> (Nov. 15, 2006), 16 pages.

* cited by examiner

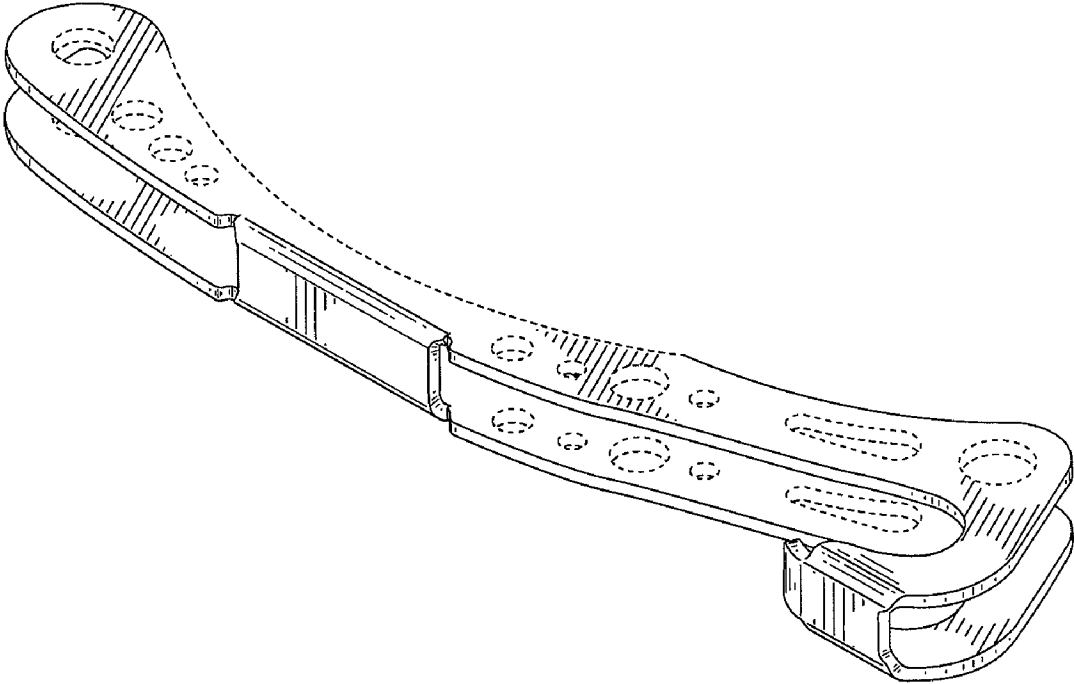


FIG. 1

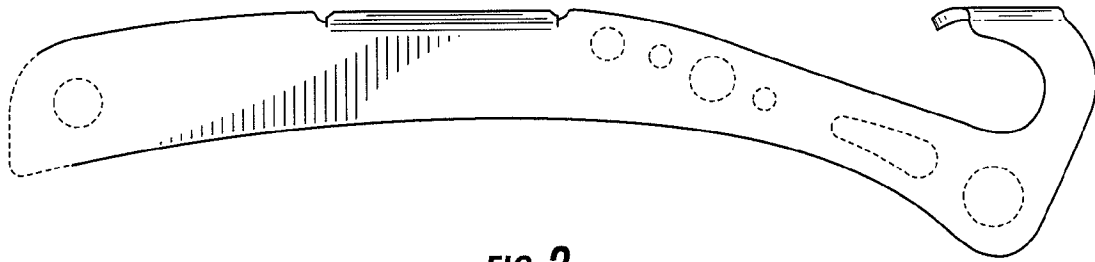


FIG. 2

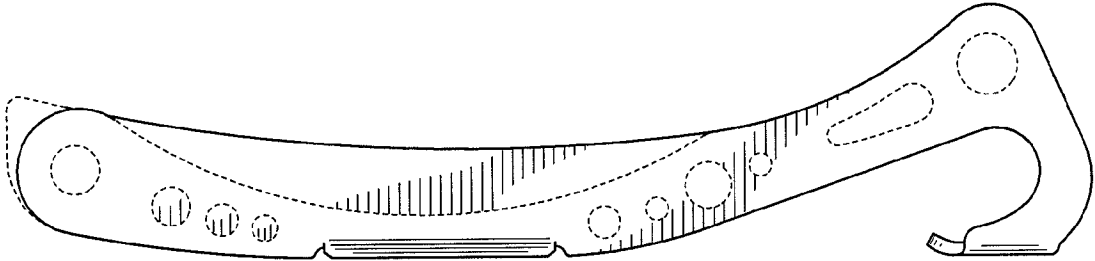


FIG. 3

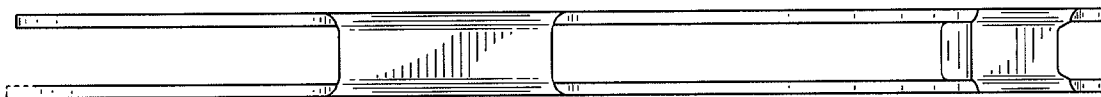


FIG. 4

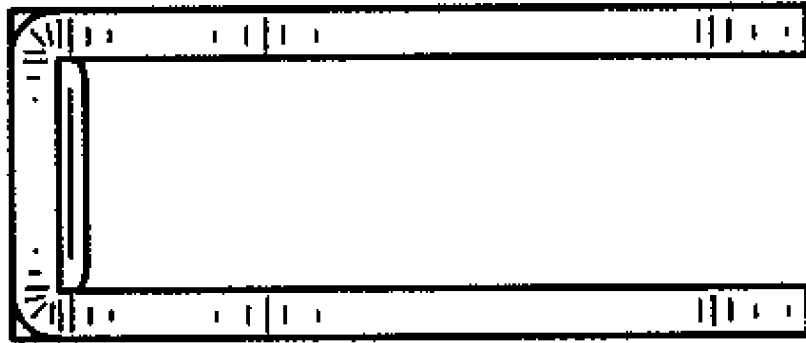


FIG. 5

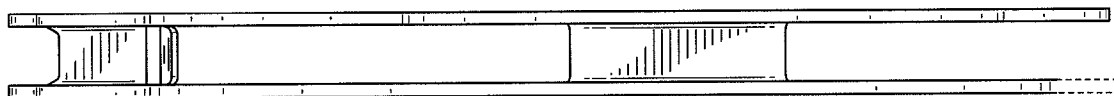


FIG. 6

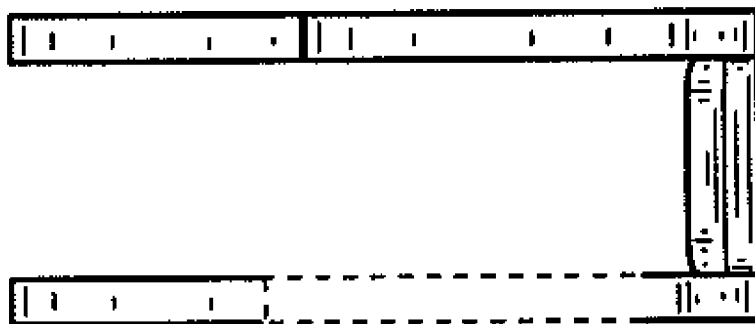


FIG. 7

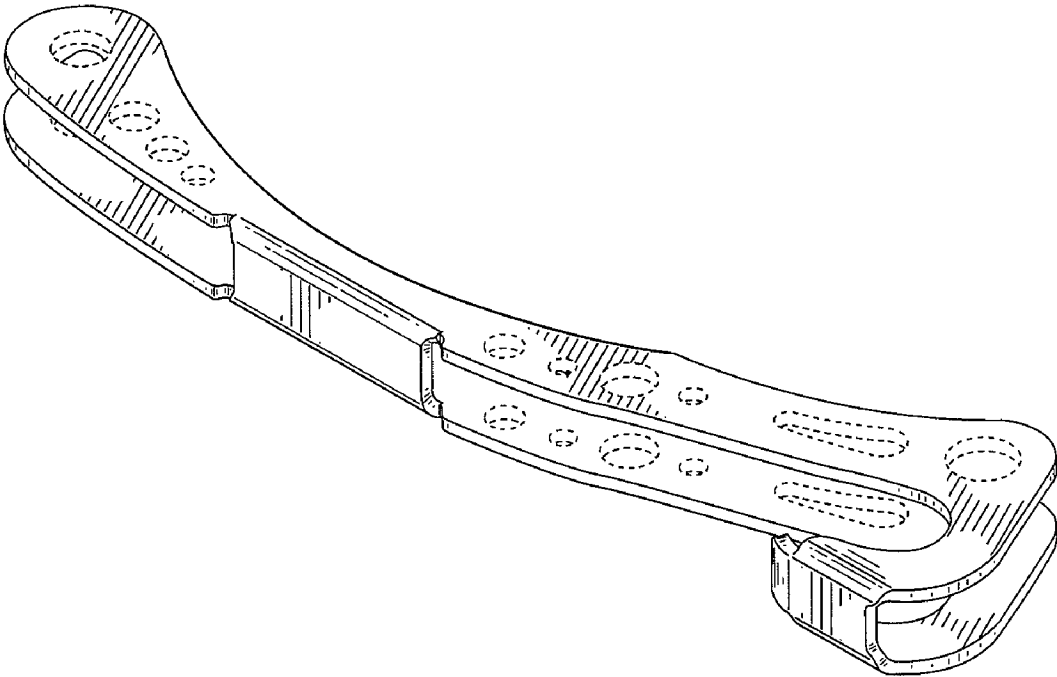


FIG. 8

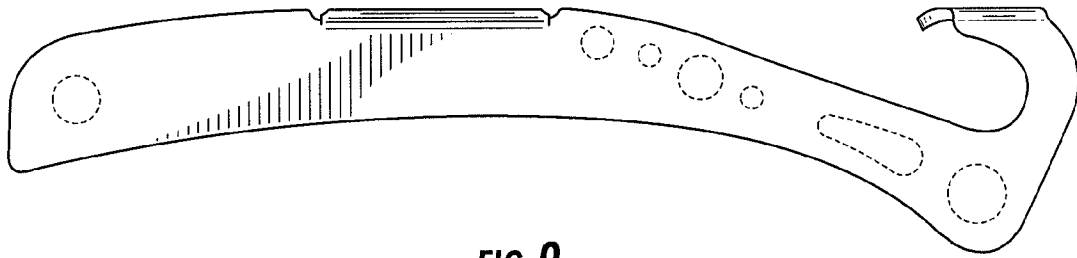


FIG. 9

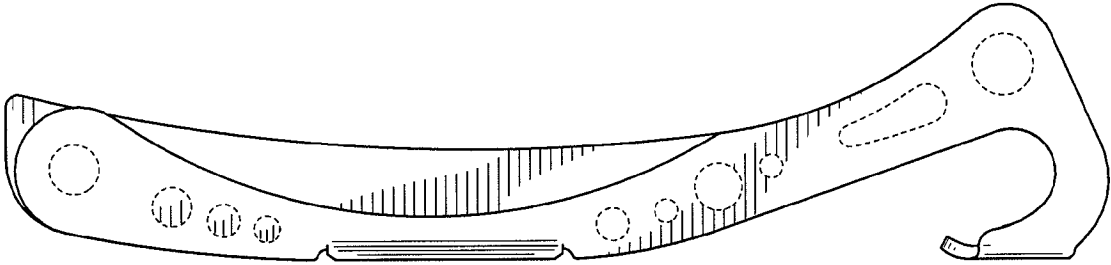


FIG. 10

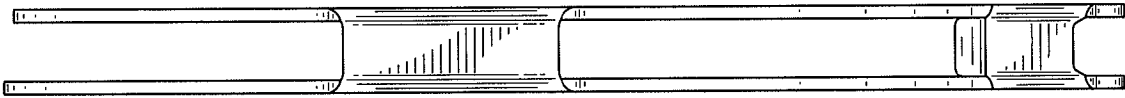


FIG. 11

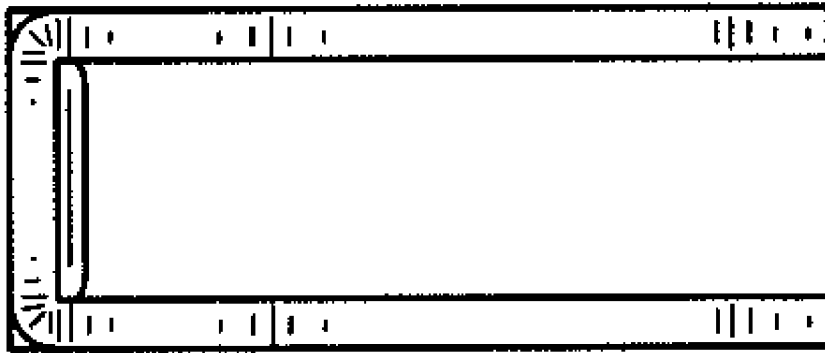


FIG. 12

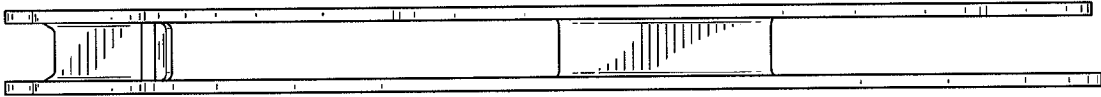


FIG. 13



FIG. 14