



US00D592931S

(12) **United States Design Patent**
Nenadic

(10) **Patent No.:** **US D592,931 S**

(45) **Date of Patent:** **** May 26, 2009**

(54) **ACCESSORY RETAINER AND HOUSING OF
A FOLDING MULTIPURPOSE HAND TOOL**

(75) Inventor: **John Nenadic**, Camas, WA (US)

(73) Assignee: **Leatherman Tool Group, Inc.**,
Portland, OR (US)

(**) Term: **14 Years**

(21) Appl. No.: **29/275,948**

(22) Filed: **Jan. 10, 2007**

(51) **LOC (9) Cl.** **08-05**

(52) **U.S. Cl.** **D8/105**

(58) **Field of Classification Search** D8/99,
D8/58, 55, 52, 356, 107, 105; D19/65; 81/440,
81/427.5; 7/160, 138, 128, 118; 30/298.4,
30/162, 161, 155

See application file for complete search history.

(56) **References Cited**

U.S. PATENT DOCUMENTS

187,483 A 2/1877 Rightor
345,296 A 7/1886 Friebertshauser
364,414 A 6/1887 Hollweg

(Continued)

FOREIGN PATENT DOCUMENTS

EP 0 771 622 A1 5/1997
EP 0 783 937 A2 7/1997
EP 1 023 971 A2 8/2000

(Continued)

OTHER PUBLICATIONS

Van Hoy Snap Look, available at <http://www.crkt.com/snaplock.html>
(Jul. 5, 2006), 2 pages.

(Continued)

Primary Examiner—Cathron C Brooks

Assistant Examiner—Austin Murphy

(74) *Attorney, Agent, or Firm*—Alston & Bird LLP

(57) **CLAIM**

I claim the ornamental design for an accessory retainer and housing of a folding multipurpose hand tool, as shown and described.

DESCRIPTION

FIG. 1 is a perspective view of an accessory retainer and housing of a folding multipurpose hand tool according to my new design, shown in the environment of a folding multipurpose hand tool with pliers in an open position;

FIG. 2 is a right side elevation view thereof;

FIG. 3 is a front elevation view thereof;

FIG. 4 is an enlarged partial view of FIG. 3

FIG. 5 is a top plan view thereof;

FIG. 6 is a rear elevation view thereof;

FIG. 7 is a left side elevation view thereof;

FIG. 8 is a bottom plan view thereof;

FIG. 9 is a perspective view of accessory retainer and housing of a folding multipurpose hand tool, shown in the environment of the folding multipurpose hand tool in a closed position;

FIG. 10 is an enlarged partial view of FIG. 9;

FIG. 11 is a rear elevation view of FIG. 9;

FIG. 12 is a right side elevation view of FIG. 9;

FIG. 13 is a front elevation view of FIG. 9;

FIG. 14 is a top plan view of FIG. 9;

FIG. 15 is a bottom plan view of FIG. 9;

FIG. 16 is a left side elevation view of FIG. 9;

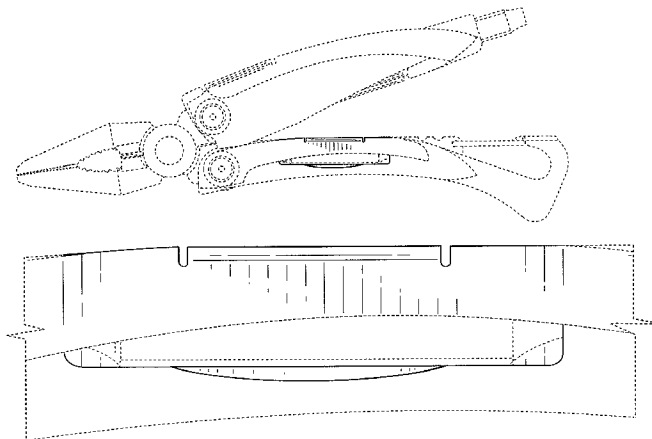
FIG. 17 is a cross-sectional view taken from FIG. 16;

FIG. 18 is an enlarged partial view of FIG. 16; and,

FIG. 19 is a front elevation view thereof, shown in the environment of the folding multipurpose hand tool with a knife blade in an operable position.

The broken lines shown herein are for illustrative purposes only and form no part of the claimed design.

1 Claim, 18 Drawing Sheets



U.S. PATENT DOCUMENTS

610,530 A 9/1898 Hammesfahr
 825,093 A 7/1906 Watson
 1,179,111 A 4/1916 Knowlton
 1,800,843 A 4/1931 Moulton
 2,250,290 A 7/1941 Berg
 2,263,415 A 11/1941 Berg et al.
 2,597,540 A 5/1952 Smith
 2,718,695 A 9/1955 Elsener
 2,809,384 A 10/1957 Kayser
 3,363,315 A 1/1968 Anderson
 3,832,775 A 9/1974 Stajel, II et al.
 4,187,607 A 2/1980 Simuro et al.
 4,238,862 A 12/1980 Leatherman
 4,512,051 A 4/1985 Magan
 4,563,813 A 1/1986 Fortenberry
 4,570,341 A 2/1986 Konneker
 4,744,272 A 5/1988 Leatherman
 4,759,645 A 7/1988 Kuo
 4,776,094 A 10/1988 Glesser
 4,805,303 A 2/1989 Gibbs
 4,888,869 A 12/1989 Leatherman
 5,142,721 A 9/1992 Sessions et al.
 5,267,366 A 12/1993 Frazer
 5,270,909 A 12/1993 Weiss et al.
 5,349,753 A 9/1994 Gaffney
 5,450,670 A 9/1995 Sakai
 5,463,798 A 11/1995 Wurzer
 5,511,310 A 4/1996 Sessions et al.
 5,537,750 A 7/1996 Seber et al.
 5,628,117 A 5/1997 Glesser
 5,653,525 A 8/1997 Park
 5,697,114 A 12/1997 McIntosh et al.
 5,745,997 A 5/1998 Berg et al.
 5,765,247 A 6/1998 Seber et al.
 5,781,950 A 7/1998 Swinden et al.
 D396,618 S 8/1998 Swinden et al.
 5,791,002 A 8/1998 Gardiner et al.
 5,822,867 A 10/1998 Sakai
 D401,133 S 11/1998 Gardiner et al.

D405,676 S 2/1999 Rivera
 D406,030 S 2/1999 Gardiner et al.
 D409,893 S 5/1999 Gardiner et al.
 5,963,999 A 10/1999 Gardiner et al.
 5,983,686 A 11/1999 Lee
 6,006,385 A 12/1999 Kershaw et al.
 6,014,787 A 1/2000 Rivera
 6,038,735 A 3/2000 Chang
 6,112,352 A 9/2000 Legg
 6,223,372 B1 5/2001 Barber
 6,305,041 B1 * 10/2001 Montague et al. 7/128
 6,341,423 B1 1/2002 Taggart et al.
 D474,095 S 5/2003 Luquire
 6,594,906 B1 7/2003 Sakai et al.
 6,622,327 B1 9/2003 Rivera
 6,622,328 B2 9/2003 Rivera
 D484,770 S 1/2004 Green
 D501,127 S * 1/2005 Rivera et al. D8/107
 7,146,668 B2 * 12/2006 Rivera 7/128
 7,182,001 B2 * 2/2007 Rivera 81/177.4

FOREIGN PATENT DOCUMENTS

EP 1 116 557 A2 7/2001
 EP 1 340 597 A2 9/2003
 FR 2 655 635 A1 6/1991
 FR 2 760 955 A1 9/1998
 WO WO 97/19787 A1 6/1997
 WO WO 98/18599 A1 5/1998

OTHER PUBLICATIONS

Delta Folding Knife—EW-04 available from SureFire, available at http://www.surefire.com/maxexp/main/co_disp/displ/carfnbr/317/prfnbr/24381 (Jul. 5, 2006), 1 page.
 Cord/Harness Cutter, available at http://www.surefire.com/surefire/content/ew04_large.jpg, (Jul. 5, 2006), 1 page.
 Swiss+Tech Products, available at <http://www.swisstechstools.com/productdetail.aspx?PID=pHL7RxHb%2frwA>, (Jul. 5, 2006), 1 page.
 Serengeti Hunter, available at <http://www.crkt.com/serenget.html>, (Jul. 5, 2006), 2 pages.

* cited by examiner

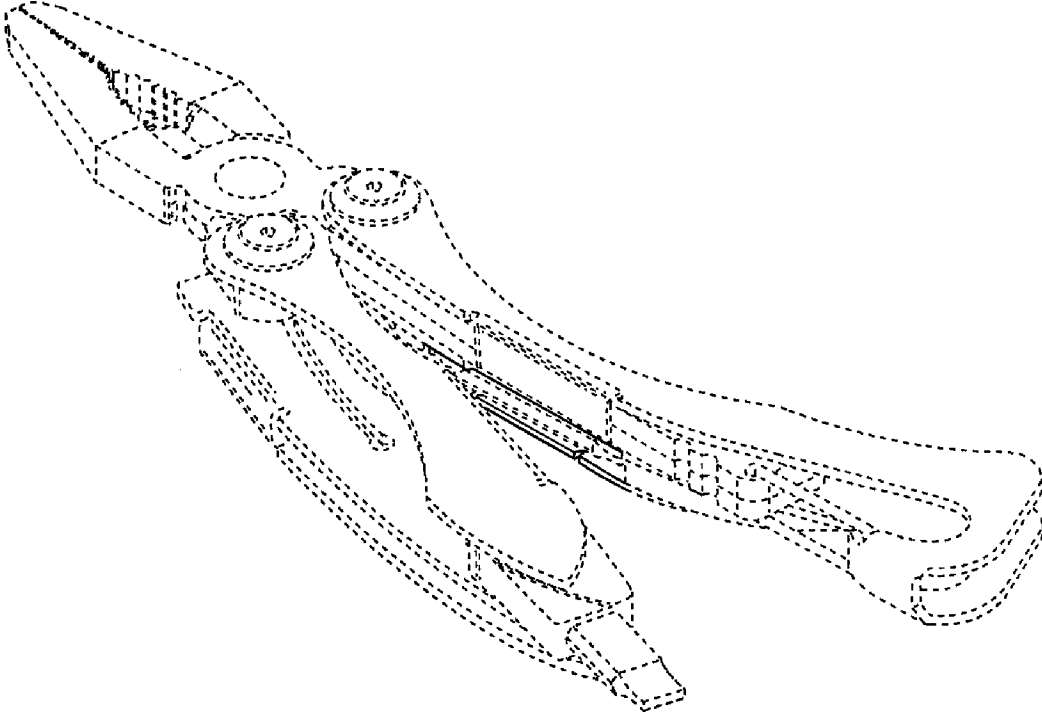


FIG. 1

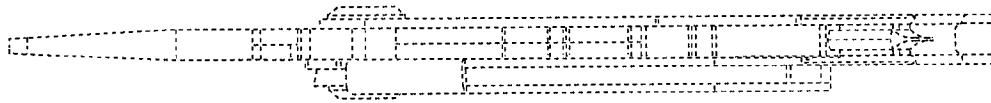


FIG. 2

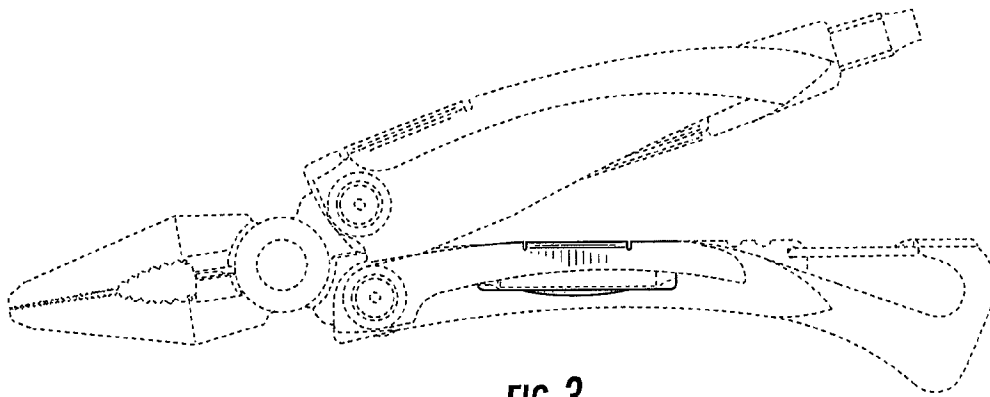


FIG. 3

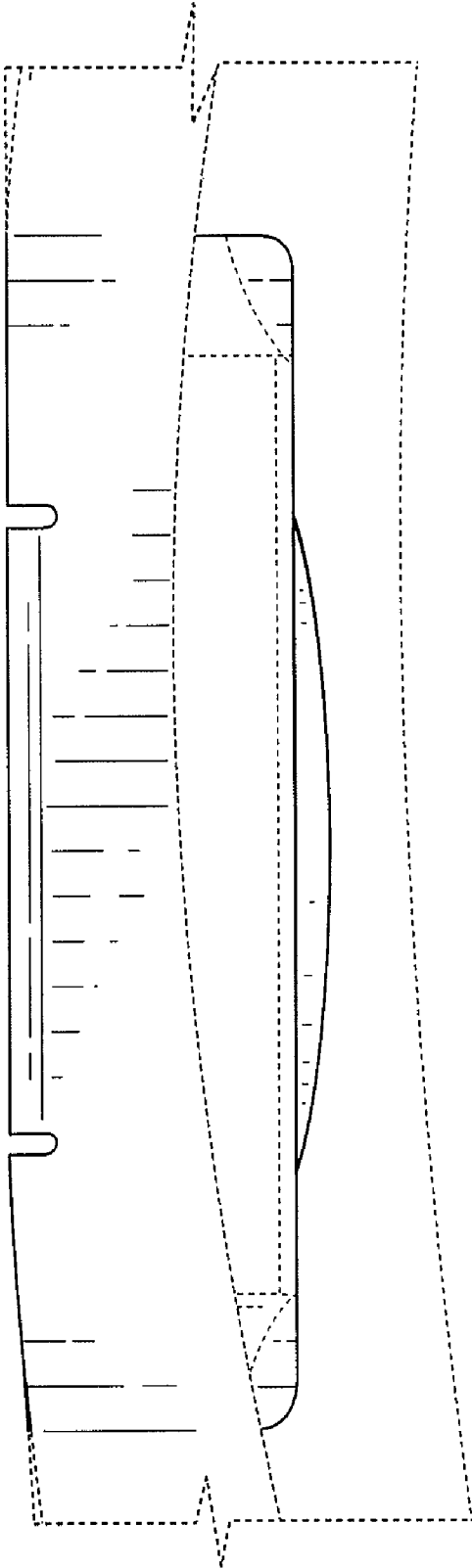


FIG. 4

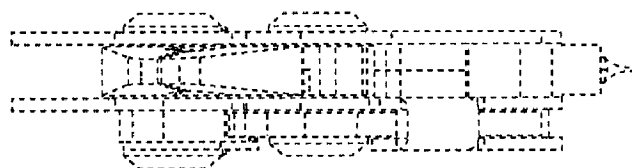


FIG. 5

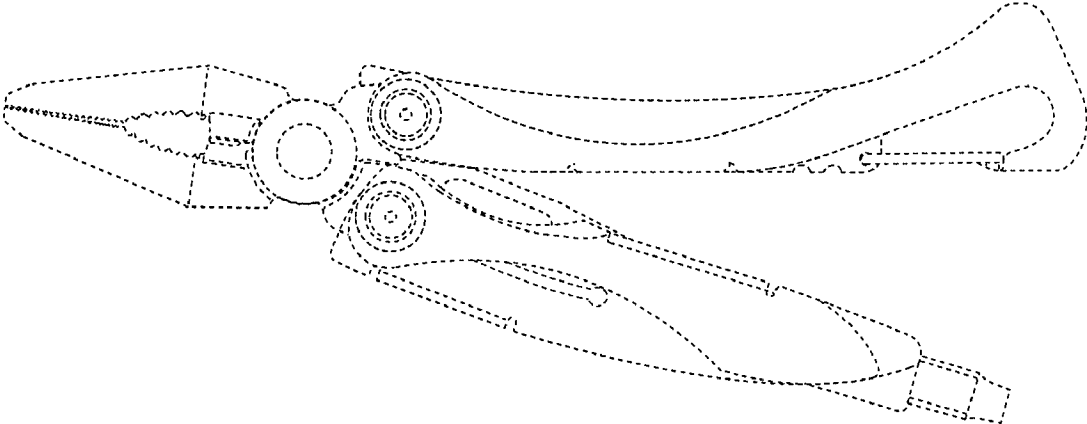


FIG. 6

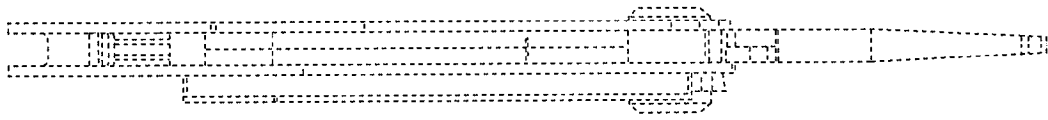


FIG. 7

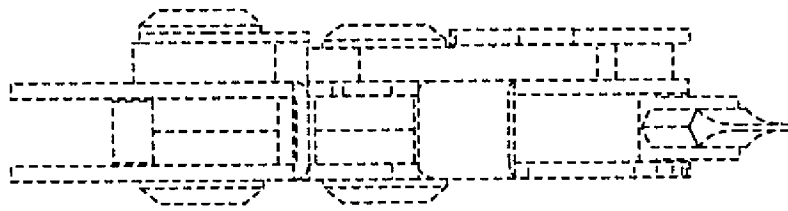


FIG. 8

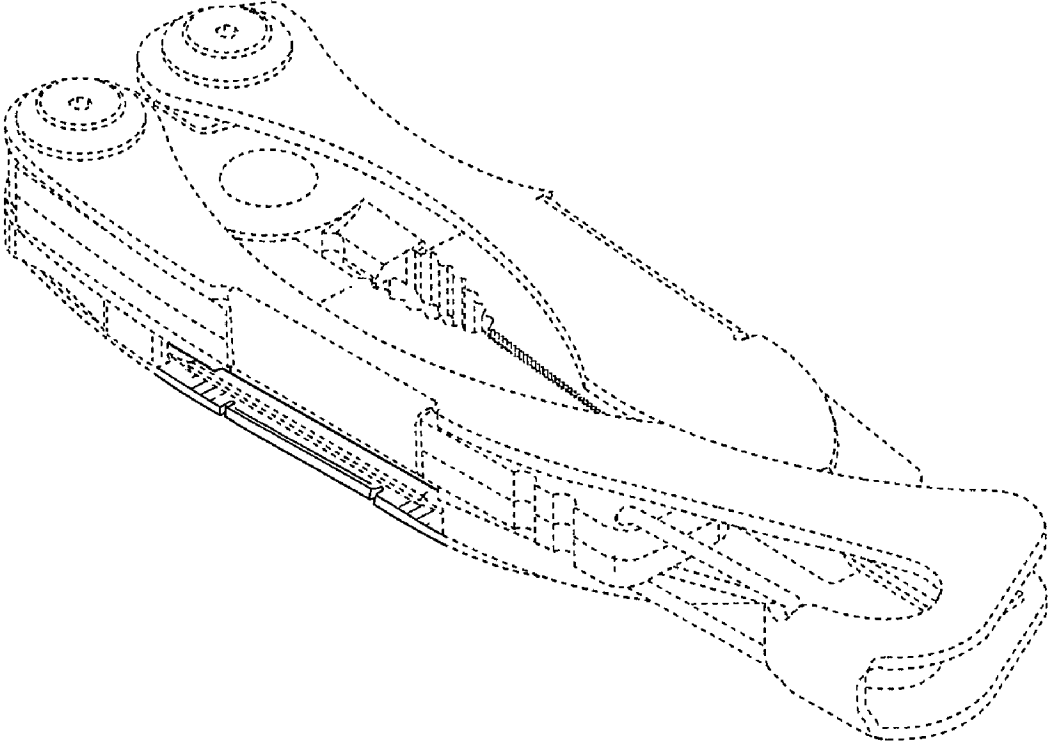


FIG. 9

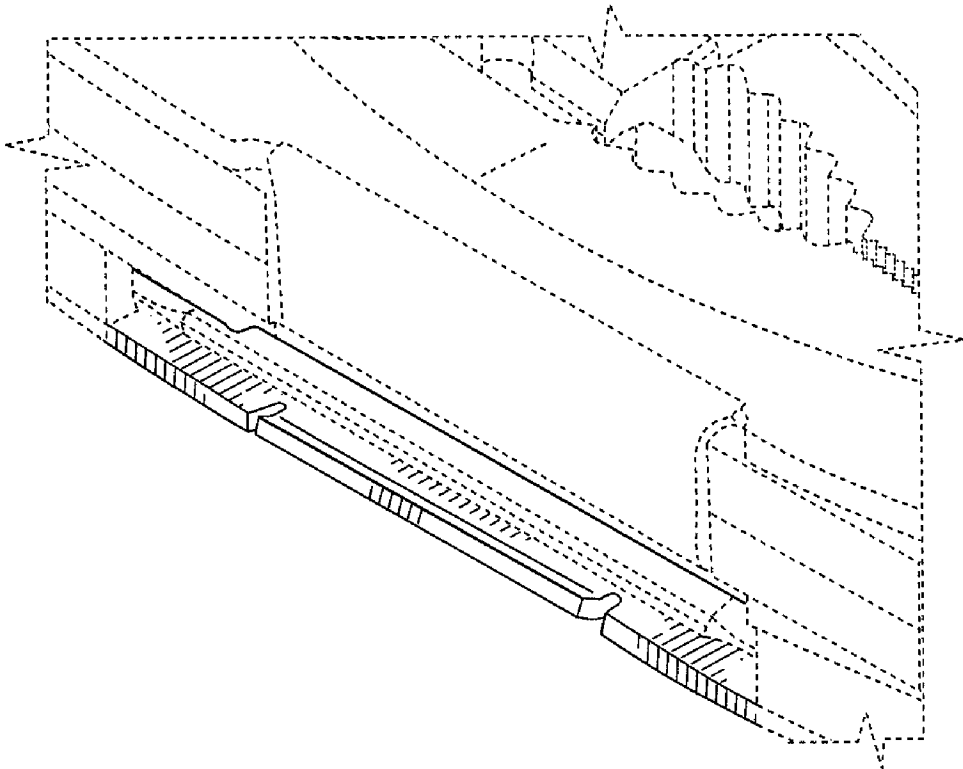


FIG. 10

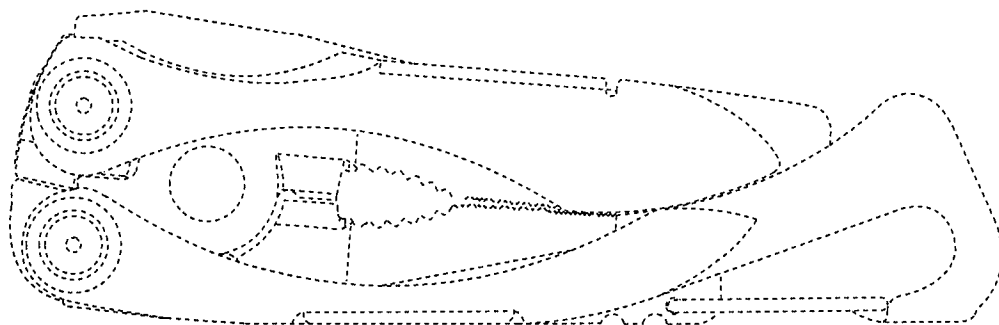


FIG. 11

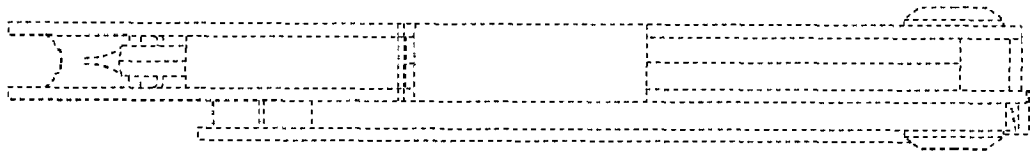


FIG. 12

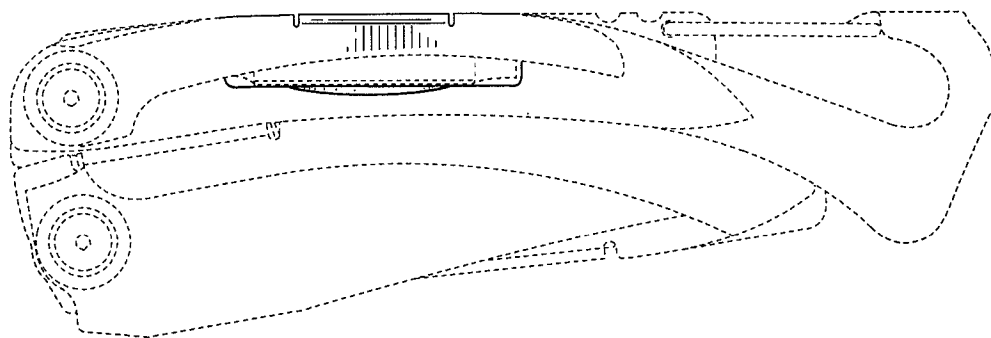


FIG. 13

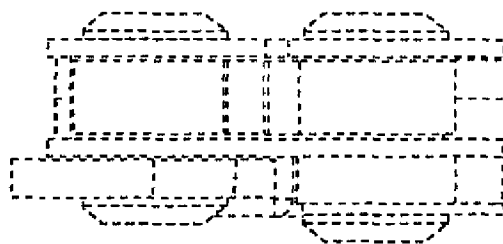


FIG. 14

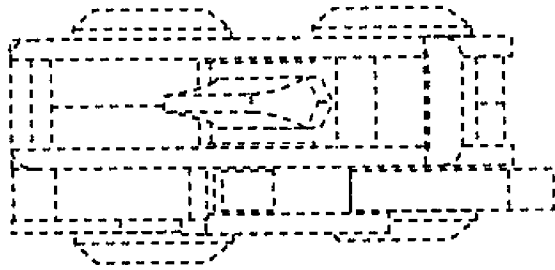


FIG. 15

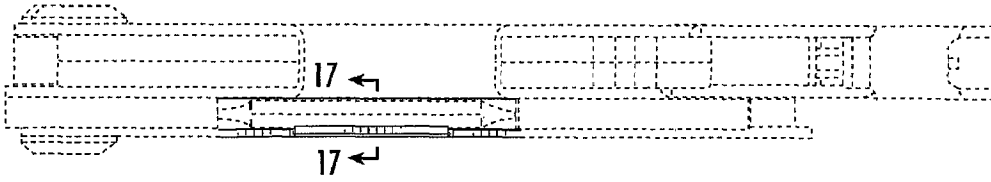


FIG. 16

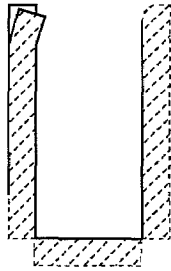


FIG. 17

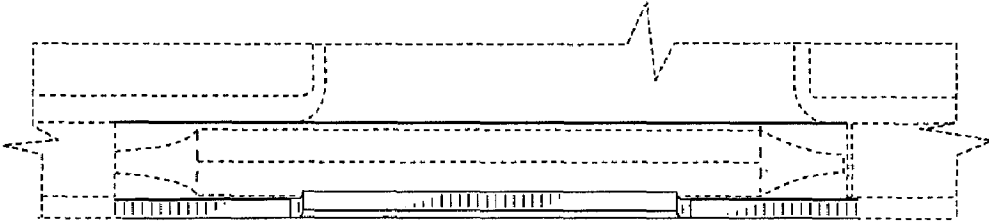


FIG. 18

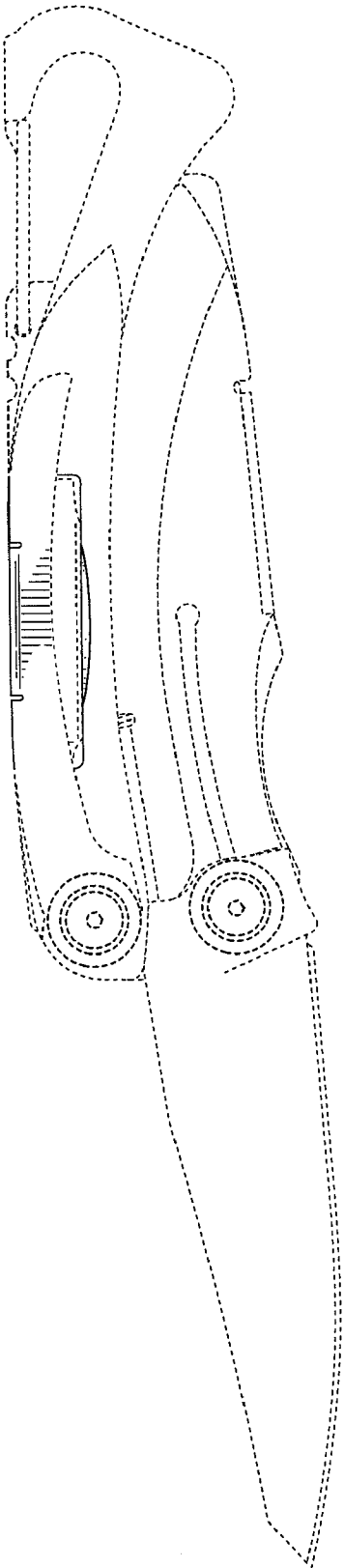


FIG. 19