



US00D462514S

(12) **United States Design Patent** (10) **Patent No.:** **US D462,514 S**
Rivera et al. (45) **Date of Patent:** **** Sep. 10, 2002**

(54) **BELT-MOUNTED TOOL CARRIER**

OTHER PUBLICATIONS

(75) Inventors: **Benjamin C. Rivera**, West Linn;
Nathan E. Knight, Portland, both of
OR (US)

Wave Rider—Aluminum Sheath—Ebay Advertisement
dated Aug. 14, 2001.

* cited by examiner

(73) Assignee: **Leatherman Tool Group, Inc.**,
Portland, OR (US)

Primary Examiner—Catherine R. Oliver
(74) *Attorney, Agent, or Firm*—Chernoff, Vilhauer,
McClung & Stenzel. LLP

(**) Term: **14 Years**

(57) **CLAIM**

(21) Appl. No.: **29/155,102**

The ornamental design for a belt-mounted tool carrier, as
shown and described.

(22) Filed: **Jan. 30, 2002**

DESCRIPTION

(51) **LOC (7) Cl.** **03-01**

(52) **U.S. Cl.** **D3/228**

(58) **Field of Search** D3/215, 218, 224,
D3/226, 228, 220; 224/240, 241, 901, 904;
379/455; D14/253, 251, 252, 140

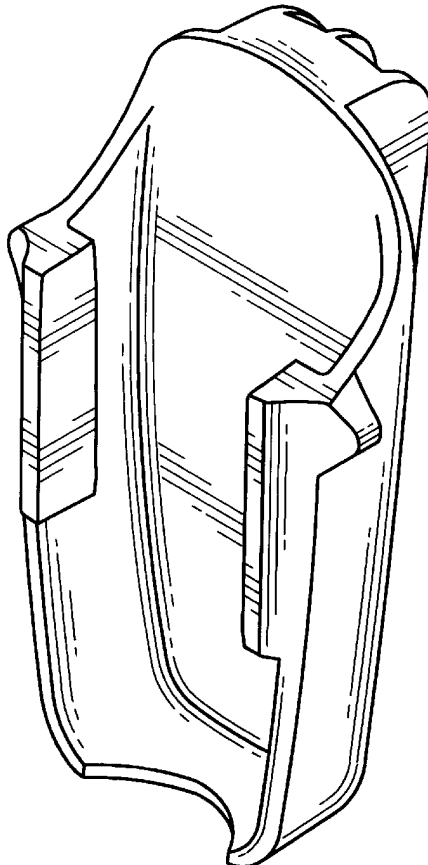
FIG. 1 is an isometric view of a belt-mounted tool carrier,
showing our new design, taken from the upper right front;
FIG. 2 is a rear elevational view thereof;
FIG. 3 is a right side elevational view thereof, the left side
elevational view thereof being a mirror image of this view;
FIG. 4 is a front elevational view of the carrier shown in
FIGS. 1-3;
FIG. 5 is a top plan view thereof; and,
FIG. 6 is a bottom plan view thereof.

(56) **References Cited**

U.S. PATENT DOCUMENTS

| | | | | | |
|------------|---|---------|-----------------|-------|----------|
| D392,097 S | * | 3/1998 | Pottala et al. | | D3/218 |
| D415,890 S | * | 11/1999 | Eriksson et al. | | D3/220 |
| D425,907 S | * | 5/2000 | Frye et al. | | D3/218 X |
| D434,898 S | * | 12/2000 | Jokinen et al. | | D3/218 |

1 Claim, 2 Drawing Sheets



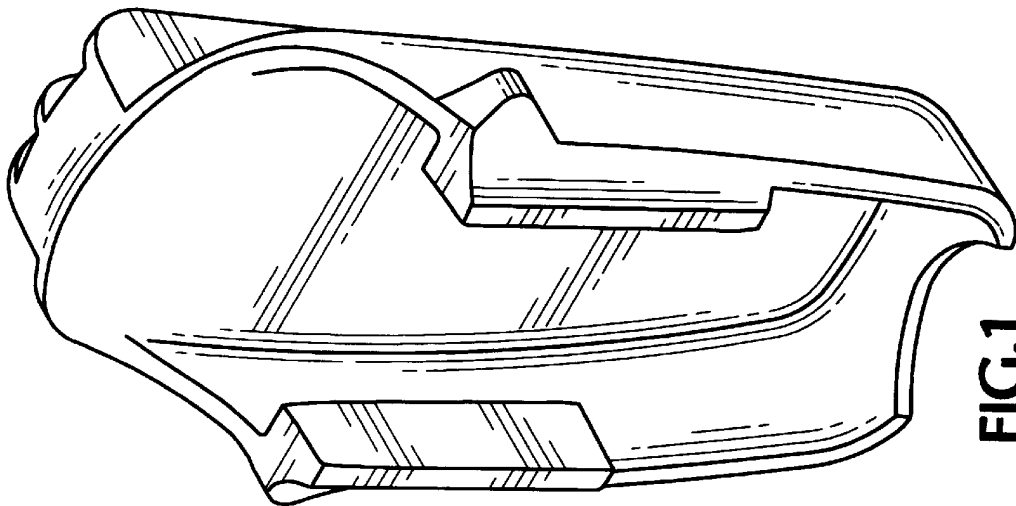


FIG. 1

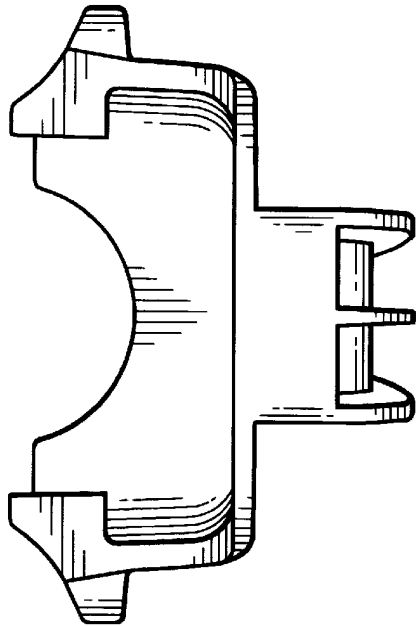


FIG. 5

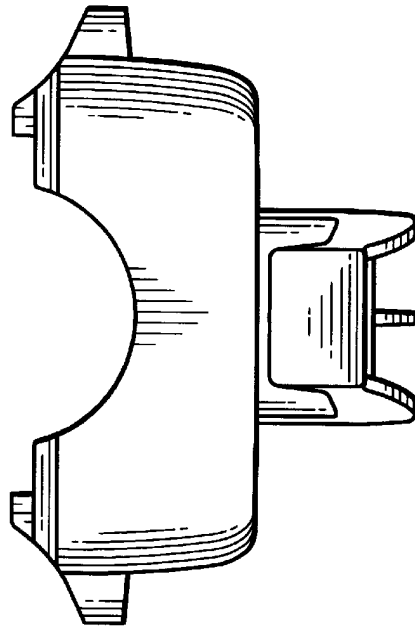


FIG. 6

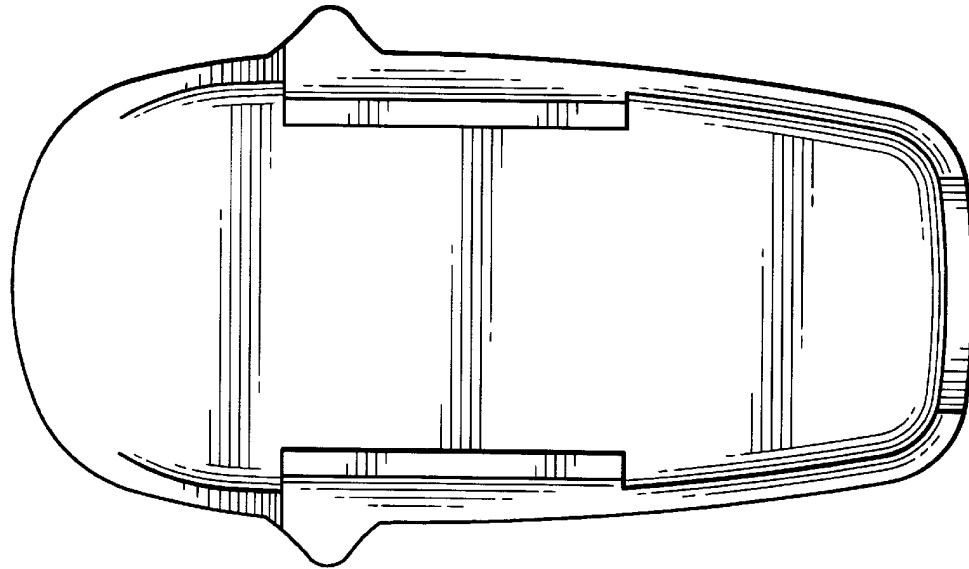


FIG.2

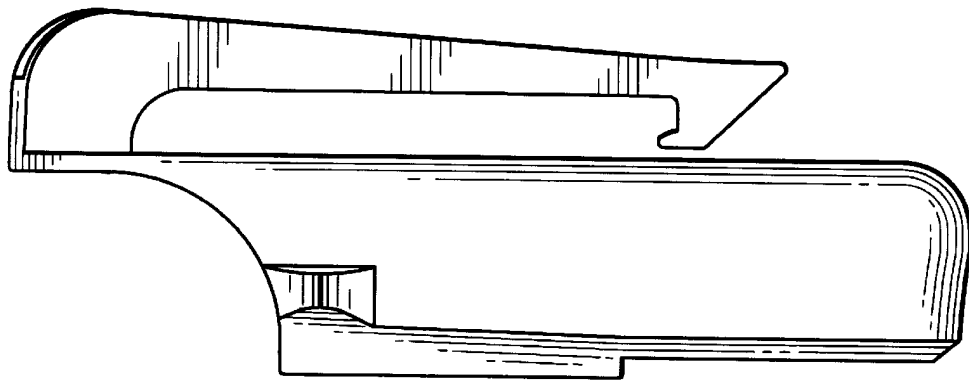


FIG.3

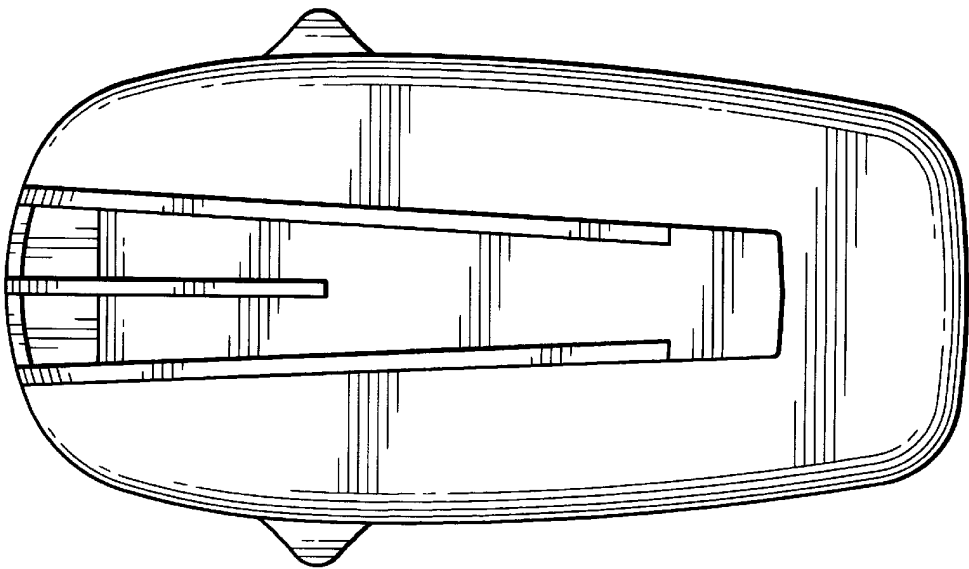


FIG.4