



US00D573009S

(12) **United States Design Patent**
Nenadic

(10) **Patent No.:** **US D573,009 S**

(45) **Date of Patent:** **** Jul. 15, 2008**

(54) **PORTION OF A CARABINER**

(75) Inventor: **John Nenadic**, Camas, WA (US)

(73) Assignee: **Leatherman Tool Group, Inc.**,
Portland, OR (US)

(**) Term: **14 Years**

(21) Appl. No.: **29/275,946**

(22) Filed: **Jan. 10, 2007**

(51) **LOC (8) Cl.** **08-08**

(52) **U.S. Cl.** **D8/356**

(58) **Field of Classification Search** D8/105,
D8/107, 333, 349, 354, 356, 358, 360, 360.1,
D8/367, 373, 382, 383, 394-396, 400; D11/200,
D11/211; D19/44; 24/3.6, 3.13, 573.11,
24/576.1, 588.1, 592.1, 592.2, 598.3, 599.1,
24/599.5, 599.6, 599.9, 600.1; 294/82.19,
294/82.2; D3/207, 208, 210, 215

See application file for complete search history.

(56) **References Cited**

U.S. PATENT DOCUMENTS

187,483	A	2/1877	Rightor	
345,296	A	7/1886	Friebertshauser	
364,414	A	6/1887	Hollweg	
610,530	A	9/1898	Hammesfahr	
825,093	A	7/1906	Watson	
855,368	A *	5/1907	Watson	24/601.5
1,179,111	A	4/1916	Knowlton	
1,600,684	A *	9/1926	McGibbon	24/543
1,767,556	A *	6/1930	Schon	24/18
1,800,843	A	4/1931	Moulton	
2,250,290	A	7/1941	Berg	

(Continued)

FOREIGN PATENT DOCUMENTS

EP 0 771 622 A1 5/1997

(Continued)

OTHER PUBLICATIONS

Alta Vista—Image Search results for : Carabiner, available at <http://www.altavista.com/image/results?itag=ody&q=carabiner&mik=photo&mik=graphic&mip=all&m...> (Nov. 16, 2006), 18 pages.

(Continued)

Primary Examiner—T. Chase Nelson

Assistant Examiner—Karen Acker

(74) *Attorney, Agent, or Firm*—Alston & Bird LLP

(57) **CLAIM**

The ornamental design for a portion of a carabiner, as shown and described.

DESCRIPTION

FIG. 1 is a perspective view of a portion of a carabiner according to my new design;

FIG. 2 is a front elevation view thereof;

FIG. 3 is a rear elevation view thereof;

FIG. 4 is a right side elevation view thereof;

FIG. 5 is a top plan view thereof;

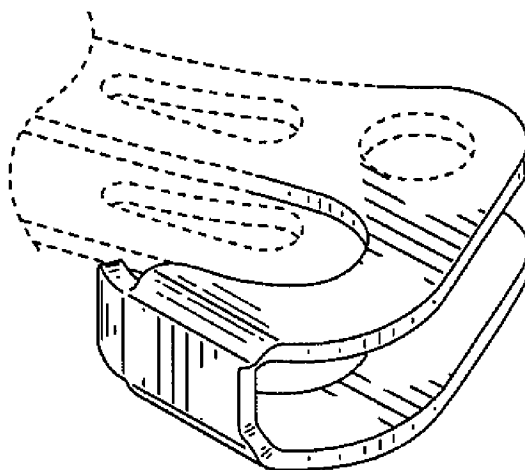
FIG. 6 is a left side elevation view thereof;

FIG. 7 is a bottom plan view thereof; and,

FIG. 8 is a perspective view of the portion of a carabiner shown in the environment of a broken line folding multipurpose hand tool.

The broken lines shown herein are for illustrative purposes only and form no part of the claimed design.

1 Claim, 8 Drawing Sheets



US D573,009 S

U.S. PATENT DOCUMENTS

2,263,415 A 11/1941 Berg et al.
 2,597,540 A 5/1952 Smith
 2,718,695 A 9/1955 Elsener
 2,809,384 A 10/1957 Kayser
 3,363,315 A 1/1968 Anderson
 3,832,775 A 9/1974 Stahel, II et al.
 D235,416 S * 6/1975 Fortsch D8/394
 4,187,607 A 2/1980 Simuro et al.
 4,238,862 A 12/1980 Leatherman
 4,458,393 A * 7/1984 Pogharian et al. 24/601.5
 4,512,051 A 4/1985 Magan
 4,525,928 A * 7/1985 Foster 30/158
 4,546,521 A * 10/1985 Ribarits 24/70 SK
 4,563,813 A 1/1986 Fortenberry
 4,570,341 A 2/1986 Konneker
 4,744,272 A 5/1988 Leatherman
 4,759,645 A 7/1988 Kuo
 4,776,094 A 10/1988 Glesser
 4,805,303 A 2/1989 Gibbs
 4,888,869 A 12/1989 Leatherman
 4,909,658 A * 3/1990 Townsend 403/325
 5,142,721 A 9/1992 Sessions et al.
 5,267,366 A 12/1993 Frazer
 5,270,909 A 12/1993 Weiss et al.
 5,349,753 A 9/1994 Gaffney
 5,450,670 A 9/1995 Sakai
 5,463,798 A 11/1995 Wurzer
 5,511,310 A 4/1996 Sessions et al.
 5,537,750 A 7/1996 Seber et al.
 5,628,117 A 5/1997 Glesser
 5,653,525 A 8/1997 Park
 5,697,114 A 12/1997 McIntosh et al.
 5,729,872 A * 3/1998 Ginocchio 24/16 R
 5,745,997 A 5/1998 Berg et al.
 5,765,247 A 6/1998 Seber et al.
 5,781,950 A 7/1998 Swinden et al.
 D396,618 S 8/1998 Swinden et al.
 5,791,002 A 8/1998 Gardiner et al.
 5,822,867 A 10/1998 Sakai
 D401,133 S 11/1998 Gardiner et al.
 D405,676 S 2/1999 Rivera
 D406,030 S 2/1999 Gardiner et al.
 D409,893 S 5/1999 Gardiner et al.
 5,963,999 A 10/1999 Gardiner et al.
 5,983,686 A 11/1999 Lee
 6,006,385 A 12/1999 Kershaw et al.
 6,014,787 A 1/2000 Rivera
 6,038,735 A 3/2000 Chang
 D423,209 S * 4/2000 Guyot D3/207
 6,088,861 A * 7/2000 Sessions et al. 7/128

6,112,352 A 9/2000 Legg
 6,223,372 B1 5/2001 Barber
 6,341,423 B1 1/2002 Taggart et al.
 D455,629 S * 4/2002 Ping D8/105
 D472,438 S * 4/2003 Peperkorn et al. D8/52
 D474,095 S 5/2003 Luquire
 6,594,906 B1 7/2003 Sakai et al.
 D478,847 S * 8/2003 Ratto D12/114
 6,622,327 B1 9/2003 Rivera
 6,622,328 B2 9/2003 Rivera
 D482,263 S * 11/2003 Smith et al. D8/367
 D484,770 S 1/2004 Green
 D488,700 S * 4/2004 Montague D8/331
 D494,596 S * 8/2004 Pfister D14/451
 D515,903 S * 2/2006 Kellegan D8/105
 7,000,323 B1 * 2/2006 Hatcher et al. 30/155
 7,051,627 B2 * 5/2006 Rivera 81/440
 D529,789 S 10/2006 Klecker
 D538,138 S 3/2007 Knight
 2004/0255389 A1 * 12/2004 Seber et al. 7/128
 2005/0108862 A1 * 5/2005 Lemire et al. 24/592.1

FOREIGN PATENT DOCUMENTS

EP 0 783 937 A2 7/1997
 EP 1 023 971 A2 8/2000
 EP 1 116 557 A2 7/2001
 EP 1 340 597 A2 9/2003
 FR 2 655 635 A1 6/1991
 FR 2 760 955 A1 9/1998
 WO WO 97/19787 A1 6/1997
 WO WO 98/18599 A1 5/1998

OTHER PUBLICATIONS

Carabiner Knife—Google Image Search, available at <http://images.google.com/images?svnum=10&hl=en&lr=&q=carabiner+knife> (Nov. 15, 2006), 8 pages.
Carabiner Knife, available at <http://www.altavista.com/image/results?itag=ody&q=carabiner+knife&mik=photo&mik=graphic&mip=...> (Nov. 15, 2006), 16 pages.
 Van Hoy Snap Lock, available at <http://www.crkt.com/snaplock.html> (Jul. 5, 2006), 2 pages.
 Delta Folding Knife—EW-04 available from SureFire, available at http://www.surefire.com/maxexp/main/co_disp/displ/carfnbr/317/prfnbr/24381 (Jul. 5, 2006), 1 page.
 Cord/Harness Cutter, available at http://www.surefire.com/surefire/content/ew04_large.jpg, (Jul. 5, 2006), 1 page.
 Swiss+Tech Products, available at <http://www.swisstehtools.com/productdetail.aspx?PID=pHL7RxHb%2frwA>, (Jul. 5, 2006), 1 page.
 Serengeti Hunter, available at <http://www.crkt.com/serenget.html>, (Jul. 5, 2006), 2 pages.

* cited by examiner

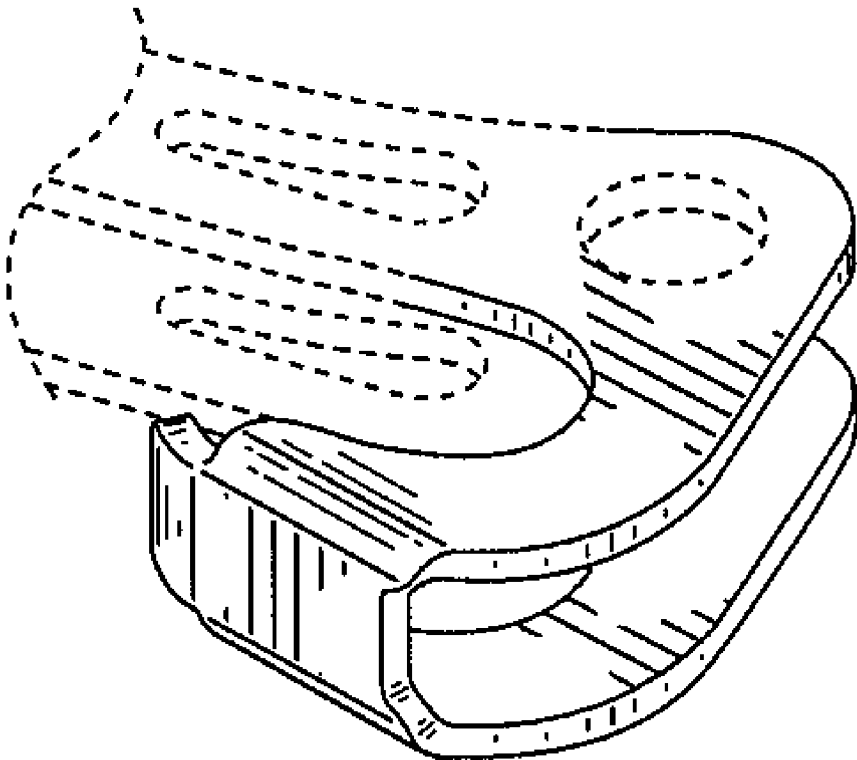


FIG. 1

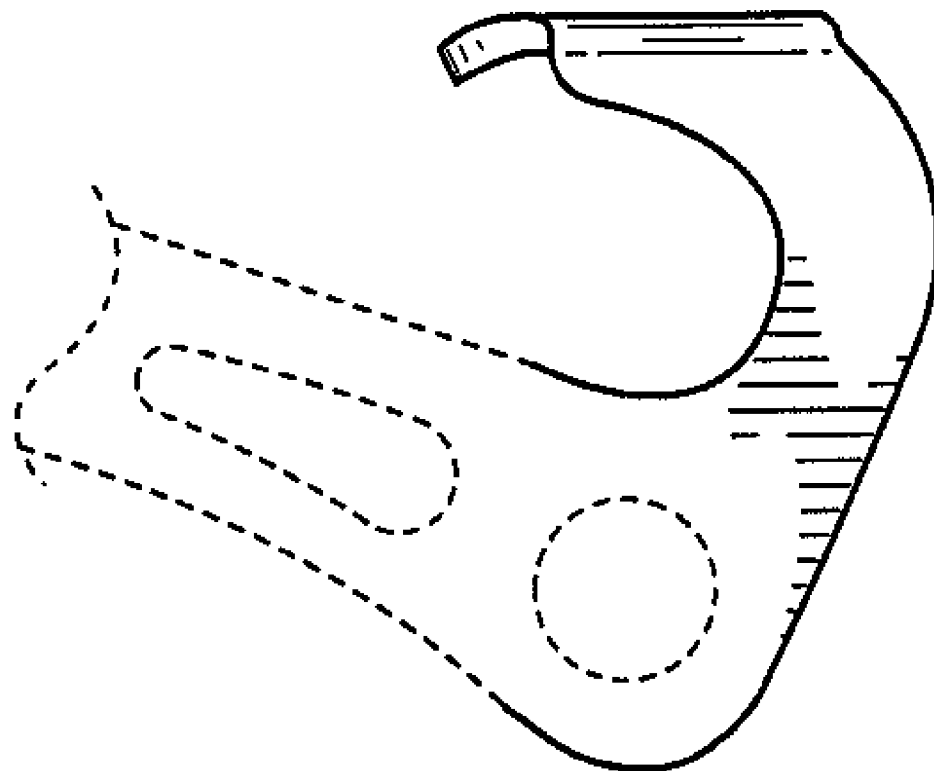


FIG. 2

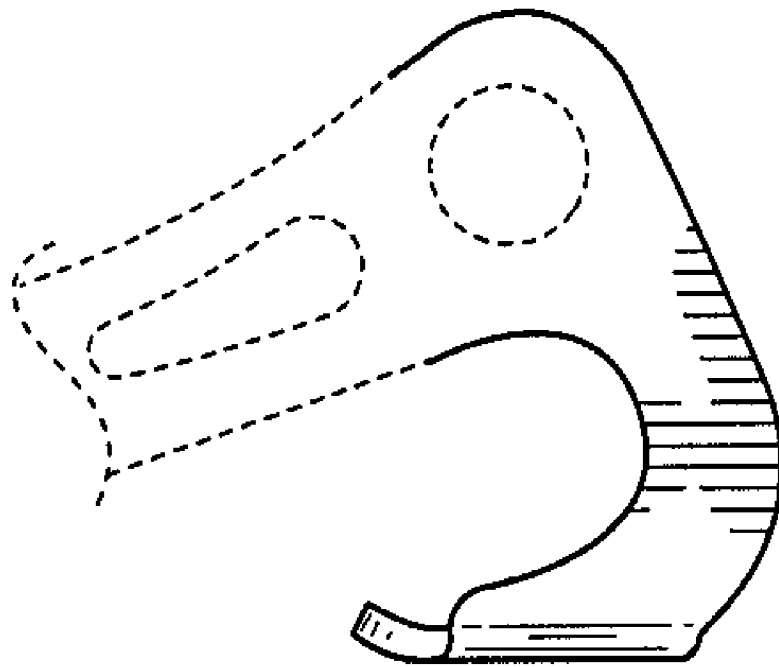


FIG. 3

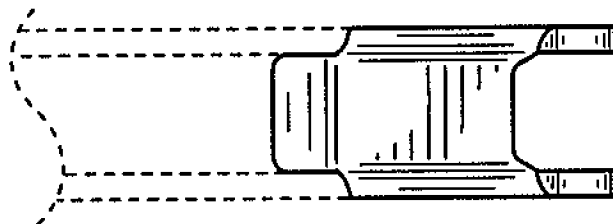


FIG. 4

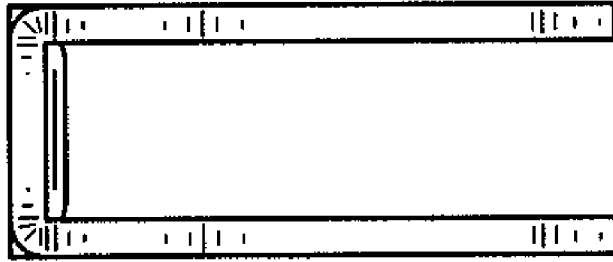


FIG. 5

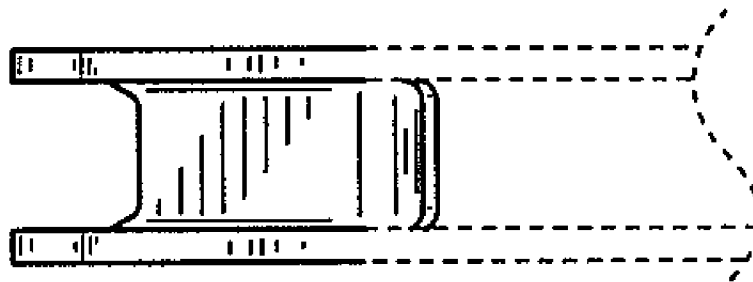


FIG. 6

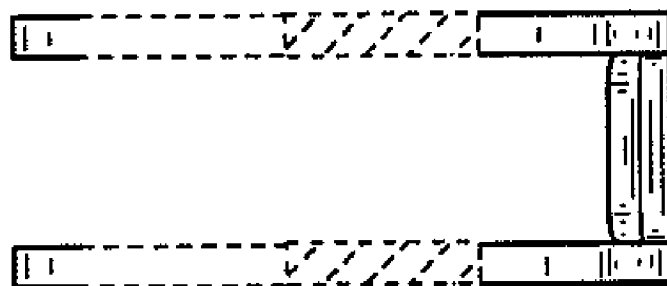


FIG. 7

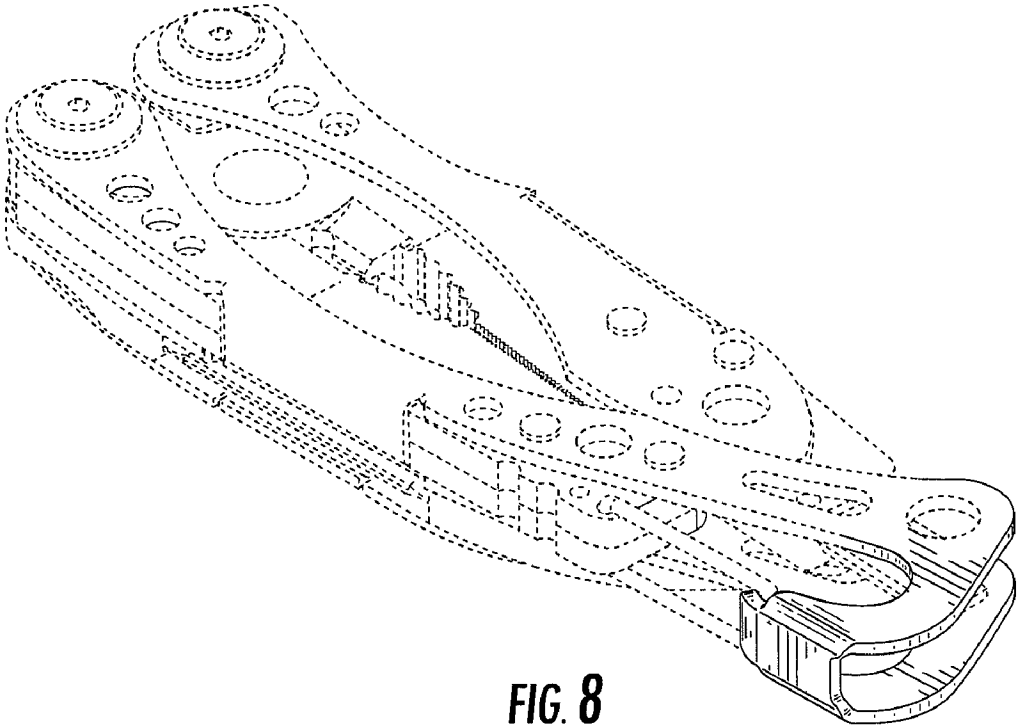


FIG. 8